

華德電子股份有限公司
Walter Electronic Co., Ltd

東莞工廠 / Dongguan Walter
廣東省東莞市鳳崗鎮雁田布墾工業區一橫路1號
No. 1, Yiheng Road, Ind Bulong, Yantian,
Fenggang, Dongguan, Guangdong, China
Postal Code: 523702
Tel: +86-769-87773450
Fax: +86-769-87774231
E-mail: walter@walterfuse.com

蘇州工廠 / Suzhou Walter
江蘇省吳江市汾湖高新技術產業開發區新黎路99號
No.99, Xinli Road, Fenhu Hi-tech Industrial
Development Zone, Wujiang, Jiangsu,
China / Postal Code: 215211
Tel: +86-512-63271188
Fax: +86-512-63272288
E-mail: walter@walterfuse.com

臺北營業所 / Taipei Office
10449臺北市中山區民權西路48號9樓
9F., No.48, Minquan W. Rd.,
Taipei 10449, Taiwan
Tel: +886-2-28168138
Fax: +886-2-28164317
E-mail: walter@walterfuse.com

臺北公司 / Taipei Walter
11165臺北市士林區重慶北路四段97號二樓
2F., No.97, Sec. 4, Chung king N. Rd.,
Shihlin District, Taipei 11165, Taiwan

www.walterfuse.com



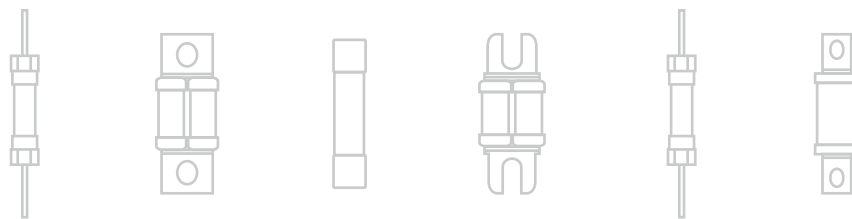
 Walter Electronic

POWER FUSE CATALOG

華德電子電力保險絲產品型錄

Contents / 目錄

■	About Walter / 華德介紹
■	Product Contents / 產品目錄
01	WN-Series WN10 / WN20 / WN30
04	WM-Series WM10 / WM20 / WM30 / WM50 / WM70 / MHC / MHP / MTPP
11	WE-Series WE30 / WE35 / WE50
14	WD-Series WD20 / WD21 / WD25 / WD30 / WD35 / WD50 / WD60 / WD80
22	WJ-Series WJ45 / WJ50 / WJ60
25	WH-Series WH25 / WH30 / WH40 / WH60
29	WL-Series LFC / LFP / WL10 / WL20 / WL25 / WL30 / WL40 / WL50 / WL50H



In keeping with our policy of constant product refinement, we reserve the right to make product changes at any time without prior notice. For more information please visit us at www.walterfuse.com
本型錄刊載內容及技術數據或資料若有更改或錯誤將不在另行通知，以公司內部資料為準。

About Walter 華德介紹

Walter Electronic was founded in 1968 and hallmarked as the first Taiwanese fuse manufacturer. In 1991 and 2000, Walter established manufacturing sites in Pearl River Delta Region, Dongguan, Guangdong, and Yangtze River Delta Region, Wujiang, Jiangsu, with a primary objective to serve our valuable clients from the south China and East China region. Walter's products are available in mainland domestic market as well as worldwide markets. In 2006, Walter Electronic obtained support on Current Sensing Resistor and obtained accreditation from famous electric company. In 2015 Walter Electronic released Power fuses for applications such as PV system, industrial, telecom, UPS, BMS, automotive, and instruments.

華德電子成立於1968年，系台灣第一家保險絲專業製造商，迄今已擁有超過48年的生產經驗；為更好的服務中國華南及華東廣大客戶，公司分別於1991年、2000年設廠於中國珠三角—廣東東莞及長三角—江蘇吳江，產品可內銷中國及出口世界各地；我司於2006年獲得日本大廠電流感測電阻相關產品技術支持，開始發展電阻元件，並獲得知名大廠認證；於201年推出電力保險絲，其市場涵蓋太陽能系統、工業電源、通訊電源、UPS、電力電池、電動汽車、儀器儀表等。

Features 產品特性

- Designed according to UL248 / 遵照UL248
- Designed according to IEC60127 / 遵照IEC60127
- Designed according to IEC60269 / 遵照IEC60269
- Designed according to BS88 / 遵照BS88
- Designed according to UL2579(Photovoltaic) / 遵照UL2579(光伏設備)
- Low voltage fuses devices / 低壓保險絲(IEC 60269)
- Excellent overload and high pulse handing capability / 優異過流與突波承受能力
- Complying with RoHS and Reach / 符合RoHS & Reach
- Wide application field and devices variety / 符合各領域與設備需求

Applications 應用產業

- Electrical Vehicle / Hybrid Electrical Vehicle (PDU) & Peripherals(BMS、Charger) / 電動車
- Industrial Equipment Power (Inverter、Industrial UPS、Telecom segment and so on) / 工業設備
- Data Center Equipment Power (Server、UPS、Router、Switch、Internet and so on) / 數據中心
- Office Equipment (Output Devices : Laser Printer、Plotter、Multi-function office Machine) / 辦公設備
- Home Appliances (Air Condition) / 家用電器
- Low Voltage Distribution Applied / 低壓配電
- Digital Meter & Instruments / 儀器儀表
- Photovoltaic Applied / 太陽能系統

Definition of Electrical Characteristics and Terms 電性參數定義

Low Voltage Fuses(IEC 60269) 低壓保險絲(IEC60269)

This kind fuse with rated breaking capacities of not less than 6KA is intended for protecting power-frequency A.C. circuits of nominal voltages not exceeding 1000V or D.C. circuits of nominal voltages not exceeding 1500V.

此類型保險絲主要應用於電壓不超過1000V的交流電路或電壓不超過1500V的直流電路，且其額定分斷能力不小於6KV。

Rated Voltage 額定電壓

- IEC requires AC voltage tests to be performed at 110% of the rated voltage and power factors between 10 and 20 percent.

IEC規定熔斷器之交流電壓在額定電壓的110% & 功率因素10~20%條件下進行測試

- UL requires all fuses should be tested at their rated voltage and power factors between 15 and 20 percent.

UL標準規定所有熔斷器在額定電壓測試須在功率因素10~20%之條件下進行測試

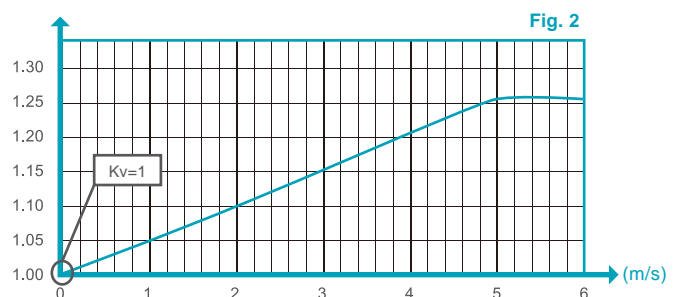
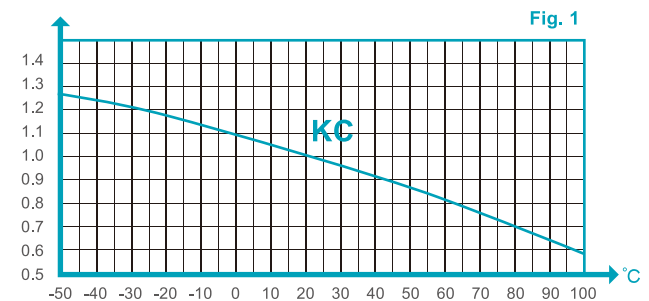
Temperature Correction Curve Kc (Fig. 1) 溫度係數Kc

The rated current value of our fuses is based on the ambient temperature in the space below the fuse of 25°C up to 30°Cmax. The following graph gives correction factor Kc for a range of temperatures -50°C to +100°C. 熔斷器的額定電流定義環境溫度為25~30°C，於-50°C~+100°C之溫度曲線如Fig1

Forced Cooling Correction Coefficient Kv (Fig. 2) 冷卻係數Kv

If forced air is used to cool the fuse in working, the continuous current rating of the fuse may be increased, by Multiplying the rated current by a coefficient Kv. The value of the correction coefficient please refer to following chart.

如採用風冷方式對工作中的熔斷器進行降溫，則熔斷器的額定電流值將會增加，冷卻條件係數Kv可進行額定電流值之修正。



Arc Voltage 電弧電壓

When fuses fusing will appear arc voltage. The value of arc voltage pick will be the 2 times of the fault voltage(RMS), and the maximum will not exceed 2.5time. The pick value should not exceed of semiconductor announced. 熔斷器熔斷時將產生電弧電壓，電弧電壓峰值為故障電路電壓(RMS)的2倍，最高不超過2.5倍，不應超過半導體元件瞬態阻斷電壓。

Overload Current of Circuit I_{max} 過載電流I_{max}

“Overload” is generally used for excess current flowing in the circuit which is electrically sound. Overload currents are usually not much greater than the normal full-load current of the system. As a rough rule, the overload current is less than 8 or 10 times the current rating.

過載主要針對於正常工作時電路中出現的過電流，一般過載電流並不會遠大於正常滿載電流，正常情況下，過載電流小於8~10倍的額定電流。

Total Clearing I²t 熔斷能量I²t

The total clearing I²t at rated voltage and at power factor 15% are given in the electrical characteristics. Generally, total I²t including pre I²t and melting I²t. 總和熔斷能量是指額定電壓與功率因素15%的分斷電流(RMS)測試而得，總和熔斷能量包含弧前能量與熔斷能量。

Power Losses P 功耗P

Watts losses at rated current is given in the electrical characteristics. Different load current lead to different power losses through the correction factor due to the larger loading the higher resistance.

熔斷器的額定功耗是指在額定電流下的熔斷器功耗。

Short-Circuit Current Rating (SCCR) 短路電流(SCCR)

SCCRs on components and equipment represent the maximum level of short-circuit current that the component of equipment can withstand and is used for determining compliance with NEC[®] 110.10. This rating can be marked on individual components or assemblies.

根據NEC[®] 110.10的規定，熔斷器和其他器件所表示的短路電流等級表示它所能夠承受的最大短路電流。

Fuses in Parallell 並聯熔斷器

When fuses are in parallel, the current rating can be two times the current rating of one fuse in case of two fuses, but it becomes 90% the rating of 1 body multiplied by the number of fuses for 3 or more fuses in parallel once the following conditions are full filled: Distance between the two same length fuses must be 10mm at least but less than 30mm and keep the fuses' resistance within 5%.

當兩個熔斷器併聯，其額定電流能力為單顆熔斷器的2倍，當3個或以上熔斷器併聯，其單顆流通電流能力需為未併聯單顆熔斷器的90%，熔斷器併聯時，熔斷器安裝間距至少10mm但低於30mm，熔斷器冷電阻值差異小於5%。

AC Fuses in DC Circuits 交流熔斷器用於直流電路中

If AC fuses are used in DC motor and the drive circuit The inductance in a DC circuit limits the rate of current rise. The time spent for the current to reach 63% of the final value is called the time constant, also referred to in terms of L/R. The dimensioning parameters will be the system DC-voltage, the minimum short-circuit current and associated maximum time constant(L/R). Many circuits have the time constant of between 10 ms and 20 ms and IEC specifications require testing between these values.

如果交流熔斷器使用在直流電機或直流驅動電路中，直流電路中產生的電感會抑制電流提升值；電流變化至最大終值的63%所消耗時間的對應值稱為時間常數(L/R)，電路中的直流電壓與短路電流皆會影響其時間常數；多數電路中的時間常數為10~20毫秒，此為IEC規範中要求測試的數據。

Selection Criteria of a Semiconductor Fuse 半導體保險絲選型參考

- Voltage Rating / 額定電壓: $V_{fuse} > V_{fault}$
- Current Rating / 額定電流: $I_{fuse} > I_{rms}$
- Total Clearing I²t / 總和I²t: $I_{t\ total} < I_{t\ semiconductor}$
- Interrupting / 分斷能力: $BC_{fuse} > BC_{fault}$
- Arc Voltage / 電弧電壓: $V_{arc\ fuse} < V_{arc\ semiconductor}$



I-T Characteristics / 時間-電流特性

Ampere Rating 額定電流	% of Ampere Rating 額定電流%	Opening Time 熔斷時間
200mA-600mA	100%	4 Hrs Min. / 最短4小時
1A-20A		4 Hrs Min. / 最短4小時
200mA-600mA	200%	-
1A-20A		120s Max. / 最長120秒
200mA-600mA	400%	120s Max. / 最長120秒
1A-20A		-

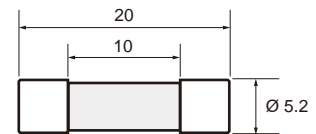
Product Features / 產品特性

Operating Temperature 操作溫度	Operating temperature / 操作溫度範圍: -55°C~125°C When choosing the fuses specification, if the operating environmental temperature beyond the scope from 20~30°C, you should consider the environmental temperature's affection to fuses. 若貴司操作環境溫度超出25±5°C範圍，在選用保險絲規格時，需考慮操作環境溫度對保險絲的影響。
Storage Conditions 儲存條件	Under airtight in temperature +10°C~60°C、relative humidity ≤75% can store 3 years. 在溫度+10°C~60°C、相對濕度≤75%的密封條件下可存放3年。 Without dew in temperature+10°C~60°C、relative humidity be 95% maximum value for 30 days. 在溫度+10°C~60°C、相對濕度為95%的非露天下最多可存放30天。
Installation Way & Parameters 安裝方式及條件	Wave soldering parameters / 波峰焊 Solder pot temperature / 錫爐溫度: 270°C Max Solder dwell time / 焊接時間: 10s Max Hand welding parameters / 手工焊 Solder iron temperature / 烙鐵溫度: 350±5°C Heating time / 焊接時間: 5s Max

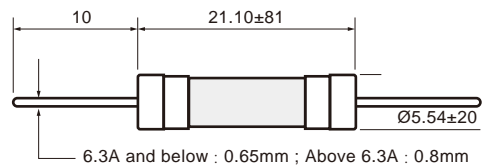


Dimensions / 尺寸圖 (Unit / 單位:mm)

WN10-XXX



WN10-XXX-P



Electrical Characteristics / 電氣特性

Type 品名	Ordering P / N 料號		Rated Current 額定電流	Breaking Capacity 分斷能力	Safety Approvals 安全認證
WN10	WN10-XXX	WN10-XXX-P			C _{RU} US
	WN10-0.2	WN10-0.2-P	200mA	600VAC / 1000A	●
	WN10-0.4	WN10-0.4-P	400mA		●
	WN10-0.5	WN10-0.5-P	500mA		●
	WN10-0.6	WN10-0.6-P	600mA		●
	WN10-1	WN10-1-P	1A		●
	WN10-1.6	WN10-1.6-P	1.6A	600VAC / 200A	●
	WN10-2	WN10-2-P	2A		●
	WN10-2.5	WN10-2.5-P	2.5A		●
	WN10-3.15	WN10-3.15-P	3.15A		●
	WN10-4	WN10-4-P	4A		●
	WN10-5	WN10-5-P	5A		●
	WN10-6	WN10-6-P	6A		●
	WN10-6.3	WN10-6.3-P	6.3A		●
	WN10-8	WN10-8-P	8A		●
	WN10-10	WN10-10-P	10A		●
	WN10-12	WN10-12-P	12A		●
	WN10-15	WN10-15-P	15A		●
WN10-20	WN10-20-P	20A	●		

I-T Characteristics / 時間-電流特性

Rated Current 額定電流	1.5In	2.1In	2.75In	4.0In	10.0In
< 800mA	1 Hrs Min.	30min. Max.	250ms~80s	50ms~5s	5ms~150ms
1A~3.15A	1 Hrs Min.	30min. Max.	750ms~80s	95ms~5s	10ms~150ms
4A~6.3A	1 Hrs Min.	30min. Max.	750ms~80s	150ms~5s	10ms~150ms
8A~20A	30min Min.	30min. Max.	750ms~80s	150ms~5s	10ms~150ms

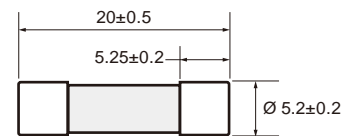
Product Features / 產品特性

Operating Temperature 操作溫度	Operating temperature / 操作溫度範圍: -55°C~125°C When choosing the fuses specification, if the operating environmental temperature beyond the scope from 20~30°C, you should consider the environmental temperature's affection to fuses. 若貴司操作環境溫度超出25±5°C範圍，在選用保險絲規格時，需考慮操作環境溫度對保險絲的影響。
Storage Conditions 儲存條件	Under airtight in temperature +10°C~60°C、relative humidity ≤75% can store 3 years. 在溫度+10°C~60°C、相對濕度≤75%的密封條件下可存放3年。 Without dew in temperature+10°C~60°C、relative humidity be 95% maximum value for 30 days. 在溫度+10°C~60°C、相對濕度為95%的非露天下最多可存放30天。
Installation Way & Parameters 安裝方式及條件	Wave soldering parameters / 波峰焊 Solder pot temperature / 錫爐溫度: 270°C Max Solder dwell time / 焊接時間: 10s Max Hand welding parameters / 手工焊 Solder iron temperature / 烙鐵溫度: 350±5°C Heating time / 焊接時間: 5s Max

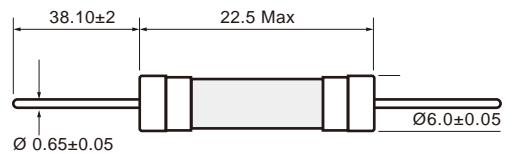


Dimensions / 尺寸圖 (Unit / 單位:mm)

WN20-XXX



WN20-XXX-P



6.3A and below : 0.65mm ; Above 6.3A : 0.8mm

Electrical Characteristics / 電氣特性

Type 品名	Ordering P / N 料號		Rated Current 額定電流	Breaking Capacity 分斷能力	Safety Approvals 安全認證
WN20	WN20-XXX	WN20-XXX-P			
	WN20-0.5	WN20-0.5-P	500mA	600VAC / 200A 500VDC / 300A 400VDC / 2000A	●
	WN20-0.63	WN20-0.63-P	630mA		●
	WN20-0.8	WN20-0.8-P	800mA		●
	WN20-1	WN20-1-P	1A		●
	WN20-1.25	WN20-1.25-P	1.25A		●
	WN20-1.6	WN20-1.6-P	1.6A		●
	WN20-2	WN20-2-P	2A		●
	WN20-2.5	WN20-2.5-P	2.5A		●
	WN20-3.15	WN20-3.15-P	3.15A		●
	WN20-4	WN20-4-P	4A		●
	WN20-5	WN20-5-P	5A		●
	WN20-6.3	WN20-6.3-P	6.3A		●
	WN20-8	WN20-8-P	8A	●	
	WN20-10	WN20-10-P	10A	●	
	WN20-12	WN20-12-P	12A	600VAC / 200A 500VDC / 300A 500VDC / 300A	●
	WN20-15	WN20-15-P	15A		●
	WN20-16	WN20-16-P	16A		●
WN20-20	WN20-20-P	20A	●		

I-T Characteristics / 時間-電流特性

Ampere Rating 額定電流	% of Ampere Rating 額定電流%	Opening Time 熔斷時間
200mA~600mA	100%	4 Hrs Min. / 最短4小時
1A~20A		4 Hrs Min. / 最短4小時
200mA~600mA	200%	-
1A~20A		120s Max. / 最長120秒
200mA~600mA	400%	120s Max. / 最長120秒
1A~20A		-

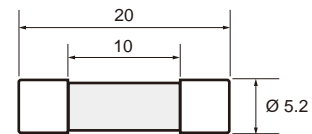
Product Features / 產品特性

Operating Temperature 操作溫度	Operating temperature / 操作溫度範圍: -55°C~125°C When choosing the fuses specification, if the operating environmental temperature beyond the scope from 20~30°C, you should consider the environmental temperature's affection to fuses. 若貴司操作環境溫度超出25±5°C範圍，在選用保險絲規格時，需考慮操作環境溫度對保險絲的影響。
Storage Conditions 儲存條件	Under airtight in temperature +10°C~60°C、relative humidity ≤75% can store 3 years. 在溫度+10°C~60°C、相對濕度≤75%的密封條件下可存放3年。 Without dew in temperature+10°C~60°C、relative humidity be 95% maximum value for 30 days. 在溫度+10°C~60°C、相對濕度為95%的非露天下最多可存放30天。
Installation Way & Parameters 安裝方式及條件	Wave soldering parameters / 波峰焊 Solder pot temperature / 錫爐溫度: 270°C Max Solder dwell time / 焊接時間: 10s Max Hand welding parameters / 手工焊 Solder iron temperature / 烙鐵溫度: 350±5°C Heating time / 焊接時間: 5s Max

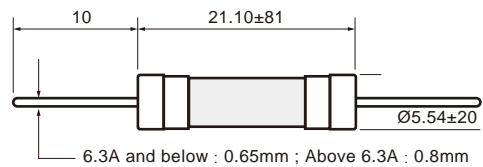


Dimensions / 尺寸圖 (Unit / 單位:mm)

WN30-XXX



WN30-XXX-P



Electrical Characteristics / 電氣特性

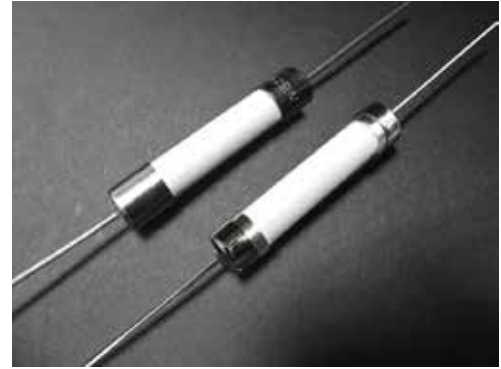
Type 品名	Ordering P / N 料號		Rated Current 額定電流	Breaking Capacity 分斷能力	Safety Approvals 安全認證
WN30	WN30-XXX	WN30-XXX-P			C _{RU} US
	WN30-0.2	WN30-0.2-P	200mA	500VDC / 300A 400VDC / 2000A	●
	WN30-0.4	WN30-0.4-P	400mA		●
	WN30-0.5	WN30-0.5-P	500mA		●
	WN30-0.6	WN30-0.6-P	600mA		●
	WN30-1	WN30-1-P	1A		●
	WN30-1.25	WN30-1.25-P	1.25A		●
	WN30-1.6	WN30-1.6-P	1.6A		●
	WN30-2	WN30-2-P	2A		●
	WN30-2.5	WN30-2.5-P	2.5A		●
	WN30-3.15	WN30-3.15-P	3.15A		●
	WN30-4	WN30-4-P	4A		●
	WN30-5	WN30-5-P	5A		●
	WN30-6.3	WN30-6.3-P	6.3A	●	
	WN30-8	WN30-8-P	8A	●	
	WN30-10	WN30-10-P	10A	●	
	WN30-12	WN30-12-P	12A	500VDC / 300A	●
	WN30-15	WN30-15-P	15A		●
WN30-20	WN30-20-P	20A	●		

I-T Characteristics / 時間-電流特性

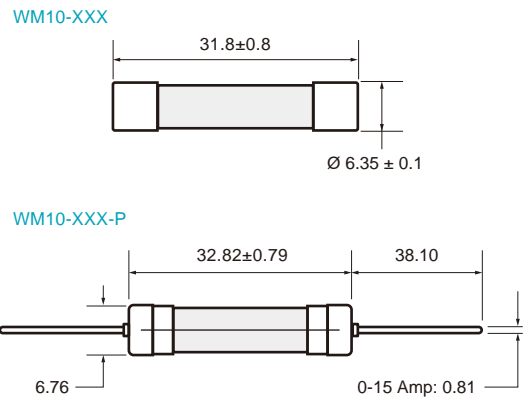
% of Ampere Rating 額定電流%	Opening Time 熔斷時間
100%	4 Hrs Min. / 最短4小時
250%	120s Max. / 最長120秒

Product Features / 產品特性

Operating Temperature 操作溫度	Operating temperature / 操作溫度範圍: -55°C~125°C When choosing the fuses specification, if the operating environmental temperature beyond the scope from 20~30°C, you should consider the environmental temperature's affection to fuses. 若貴司操作環境溫度超出25±5°C範圍, 在選用保險絲規格時, 需考慮操作環境溫度對保險絲的影響。
Storage Conditions 儲存條件	Under airtight in temperature +10°C~60°C、relative humidity ≤75% can store 3 years. 在溫度+10°C~60°C、相對濕度≤75%的密封條件下可存放3年。 Without dew in temperature+10°C~60°C、relative humidity be 95% maximum value for 30 days. 在溫度+10°C~60°C、相對濕度為95%的非露天下最多可存放30天。
Installation Way & Parameters 安裝方式及條件	Wave soldering parameters / 波峰焊 Solder pot temperature / 錫爐溫度: 270°C Max Solder dwell time / 焊接時間: 10s Max Hand welding parameters / 手工焊 Solder iron temperature / 烙鐵溫度: 350±5°C Heating time / 焊接時間: 5s Max



Dimensions / 尺寸圖 (Unit / 單位:mm)



Electrical Characteristics / 電氣特性

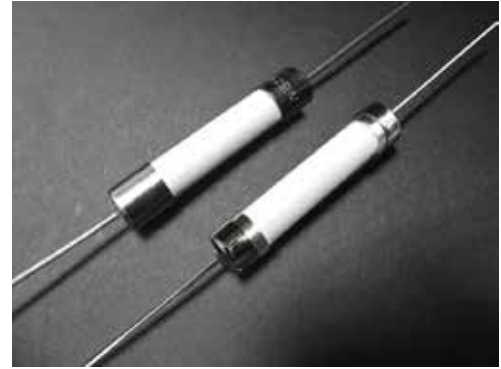
Type 品名	Ordering P / N 料號		Rated Current 額定電流	Breaking Capacity 分斷能力	Safety Approvals 安全認證
WM10	WM10-XXX	WM10-XXX-P			C _{RU} ® US
	WM10-0.2	WM10-0.2-P	200mA	600VAC / 10KA 600VDC / 10KA	●
	WM10-0.25	WM10-0.25-P	250mA		●
	WM10-0.4	WM10-0.4-P	400mA		●
	WM10-0.5	WM10-0.5-P	500mA		●
	WM10-0.6	WM10-0.6-P	600mA		●
	WM10-1	WM10-1-P	1A		●
	WM10-1.25	WM10-1.25-P	1.25A		●
	WM10-1.6	WM10-1.6-P	1.6A		●
	WM10-2	WM10-2-P	2A		●
	WM10-2.5	WM10-2.5-P	2.5A		●
	WM10-3	WM10-3-P	3A		●
	WM10-3.15	WM10-3.15-P	3.15A		●
	WM10-4	WM10-4-P	4A		●
	WM10-5	WM10-5-P	5A		●
WM10-6	WM10-6-P	6A	●		
WM10-8	WM10-8-P	8A	●		
WM10-10	WM10-10-P	10A	●		
WM10-12	WM10-12-P	12A	●		

I-T Characteristics / 時間-電流特性

% of Ampere Rating 額定電流%	Opening Time 熔斷時間
100%	4 Hrs Min. / 最短4小時
250%	120s Max. / 最長120秒

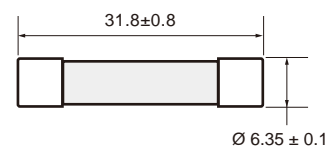
Product Features / 產品特性

Operating Temperature 操作溫度	Operating temperature / 操作溫度範圍: -55°C~125°C When choosing the fuses specification, if the operating environmental temperature beyond the scope from 20~30°C, you should consider the environmental temperature's affection to fuses. 若貴司操作環境溫度超出25±5°C範圍, 在選用保險絲規格時, 需考慮操作環境溫度對保險絲的影響。
Storage Conditions 儲存條件	Under airtight in temperature +10°C~60°C、relative humidity ≤75% can store 3 years. 在溫度+10°C~60°C、相對濕度≤75%的密封條件下可存放3年。 Without dew in temperature+10°C~60°C、relative humidity be 95% maximum value for 30 days. 在溫度+10°C~60°C、相對濕度為95%的非露天下最多可存放30天。
Installation Way & Parameters 安裝方式及條件	Wave soldering parameters / 波峰焊 Solder pot temperature / 錫爐溫度: 270°C Max Solder dwell time / 焊接時間: 10s Max Hand welding parameters / 手工焊 Solder iron temperature / 烙鐵溫度: 350±5°C Heating time / 焊接時間: 5s Max

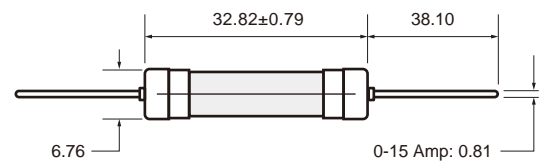


Dimensions / 尺寸圖 (Unit / 單位:mm)

WM20-XXX



WM20-XXX-P



Electrical Characteristics / 電氣特性

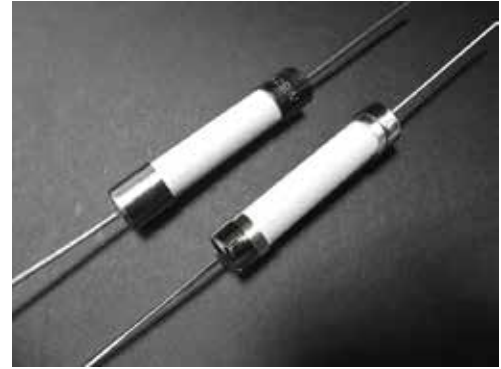
Type 品名	Ordering P / N 料號		Rated Current 額定電流	Breaking Capacity 分斷能力	Safety Approvals 安全認證
WM20	WM20-XXX	WM20-XXX-P			
	WM20-0.2	WM20-0.2-P	200mA	1000VAC / 10KA 1000VDC / 10KA	●
	WM20-0.25	WM20-0.25-P	250mA		●
	WM20-0.315	WM20-0.315-P	315 mA		●
	WM20-0.4	WM20-0.4-P	400mA		●
	WM20-0.5	WM20-0.5-P	500mA		●
	WM20-0.6	WM20-0.6-P	600mA		●
	WM20-1	WM20-1-P	1A		●
	WM20-1.25	WM20-1.25-P	1.25A		●
	WM20-1.6	WM20-1.6-P	1.6A		●
	WM20-2	WM20-2-P	2A		●
	WM20-2.5	WM20-2.5-P	2.5A		●
WM20-3	WM20-3-P	3A	●		

I-T Characteristics / 時間-電流特性

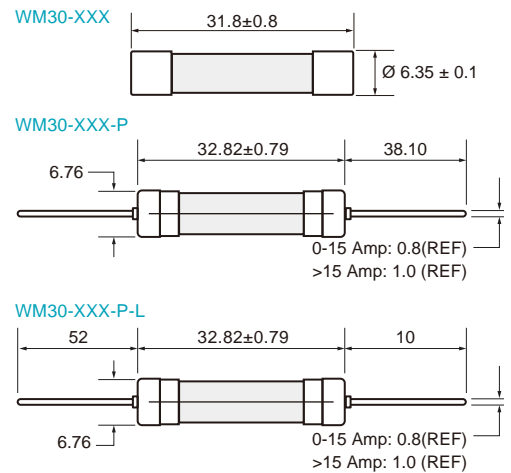
% of Ampere Rating 額定電流%	Opening Time 熔斷時間
100%	4 Hrs Min. / 最長4小時
250%	120s Max. / 最長120秒

Product Features / 產品特性

Operating Temperature 操作溫度	Operating temperature / 操作溫度範圍: -55°C~125°C When choosing the fuses specification, if the operating environmental temperature beyond the scope from 20~30°C, you should consider the environmental temperature's affection to fuses. 若貴司操作環境溫度超出25±5°C範圍, 在選用保險絲規格時, 需考慮操作環境溫度對保險絲的影響。
Storage Conditions 儲存條件	Under airtight in temperature +10°C~60°C、relative humidity ≤75% can store 3 years. 在溫度+10°C~60°C、相對濕度≤75%的密封條件下可存放3年。 Without dew in temperature+10°C~60°C、relative humidity be 95% maximum value for 30 days. 在溫度+10°C~60°C、相對濕度為95%的非露天下最多可存放30天。
Installation Way & Parameters 安裝方式及條件	Wave soldering parameters / 波峰焊 Solder pot temperature / 錫爐溫度: 270°C Max Solder dwell time / 焊接時間: 10s Max
	Hand welding parameters / 手工焊 Solder iron temperature / 烙鐵溫度: 350±5°C Heating time / 焊接時間: 5s Max



Dimensions / 尺寸圖 (Unit / 單位:mm)



Electrical Characteristics / 電氣特性

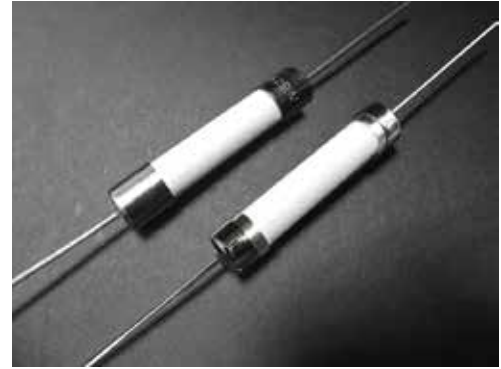
Type 品名	Ordering P / N 料號			Rated Current 額定電流	Breaking Capacity 分斷能力	Safety Approvals 安全認證
WM30	WM30-XXX	WM30-XXX-P	WM30-XXX-P-L			
	WM30-0.2	WM30-0.2-P	WM30-0.2-P-L	200mA	660VAC / 1000A 660VDC / 1000A	
	WM30-0.25	WM30-0.25-P	WM30-0.25-P-L	250mA		
	WM30-0.315	WM30-0.315-P	WM30-0.315-P-L	315mA		
	WM30-0.4	WM30-0.4-P	WM30-0.4-P-L	400mA		
	WM30-0.5	WM30-0.5-P	WM30-0.5-P-L	500mA		
	WM30-0.6	WM30-0.6-P	WM30-0.6-P-L	600mA		
	WM30-0.8	WM30-0.8-P	WM30-0.8-P-L	800mA		
	WM30-1	WM30-1-P	WM30-1-P-L	1A		
	WM30-1.25	WM30-1.25-P	WM30-1.25-P-L	1.25A		
	WM30-1.6	WM30-1.6-P	WM30-1.6-P-L	1.6A		
	WM30-2	WM30-2-P	WM30-2-P-L	2A		
	WM30-2.5	WM30-2.5-P	WM30-2.5-P-L	2.5A		
	WM30-3	WM30-3-P	WM30-3-P-L	3A		
	WM30-3.15	WM30-3.15-P	WM30-3.15-P-L	3.15A		
	WM30-4	WM30-4-P	WM30-4-P-L	4A		
	WM30-5	WM30-5-P	WM30-5-P-L	5A		
	WM30-6	WM30-6-P	WM30-6-P-L	6A		
	WM30-8	WM30-8-P	WM30-8-P-L	8A		
	WM30-10	WM30-10-P	WM30-10-P-L	10A		
	WM30-12	WM30-12-P	WM30-12-P-L	12A		
	WM30-12.5	WM30-12.5-P	WM30-12.5-P-L	12.5A		
	WM30-15	WM30-15-P	WM30-15-P-L	15A		
	WM30-16	WM30-16-P	WM30-16-P-L	16A		
WM30-20	WM30-20-P	WM30-20-P-L	20A			
WM30-25	WM30-25-P	WM30-25-P-L	25A			
WM30-30	WM30-30-P	WM30-30-P-L	30A			

I-T Characteristics / 時間-電流特性

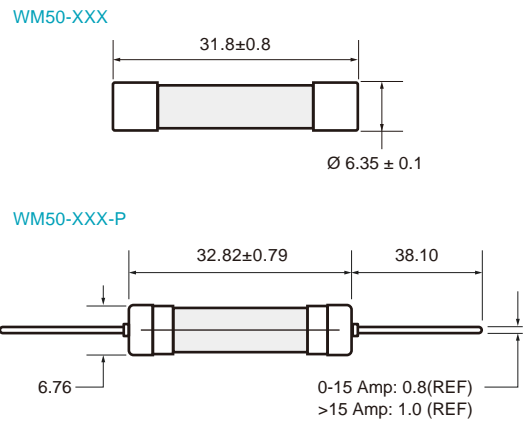
% of Ampere Rating 額定電流%	Opening Time 熔斷時間
100%	4 Hrs Min. / 最短4小時
250%	120s Max. / 最長120秒

Product Features / 產品特性

Operating Temperature 操作溫度	Operating temperature / 操作溫度範圍: -55°C~125°C When choosing the fuses specification, if the operating environmental temperature beyond the scope from 20~30°C, you should consider the environmental temperature's affection to fuses. 若貴司操作環境溫度超出25±5°C範圍，在選用保險絲規格時，需考慮操作環境溫度對保險絲的影響。
Storage Conditions 儲存條件	Under airtight in temperature +10°C~60°C、relative humidity ≤75% can store 3 years. 在溫度+10°C~60°C、相對濕度≤75%的密封條件下可存放3年。 Without dew in temperature+10°C~60°C、relative humidity be 95% maximum value for 30 days. 在溫度+10°C~60°C、相對濕度為95%的非露天下最多可存放30天。
Installation Way & Parameters 安裝方式及條件	Wave soldering parameters / 波峰焊 Solder pot temperature / 錫爐溫度: 270°C Max Solder dwell time / 焊接時間: 10s Max
	Hand welding parameters / 手工焊 Solder iron temperature / 烙鐵溫度: 350±5°C Heating time / 焊接時間: 5s Max



Dimensions / 尺寸圖 (Unit / 單位:mm)



Electrical Characteristics / 電氣特性

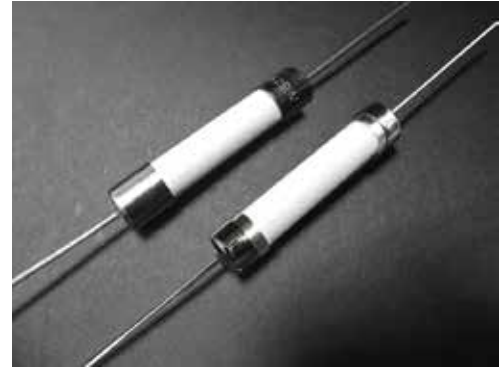
Type 品名	Ordering P / N 料號		Rated Current 額定電流	Breaking Capacity 分斷能力	Safety Approvals 安全認證
WM50	WM50-XXX	WM50-XXX-P		250VAC / 1000A	
	WM50-0.5	WM50-0.5-P	500mA		
	WM50-4	WM50-4-P	4A		
	WM50-5	WM50-5-P	5A		
	WM50-20	WM50-20-P	20A		
	WM50-25	WM50-25-P	25A		
	WM50-30	WM50-30-P	30A		
	WM50-40	WM50-40-P	40A		
	WM50-50	WM50-50-P	50A		

I-T Characteristics / 時間-電流特性

% of Ampere Rating 額定電流%	Opening Time 熔斷時間
100%	4 Hrs Min. / 最短4小時
150%	1 Hrs Max. / 最長1小時
200%	120s Max. / 最長120秒

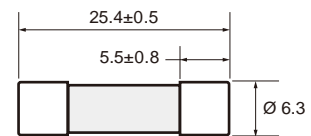
Product Features / 產品特性

Operating Temperature 操作溫度	<p>Operating temperature / 操作溫度範圍: -55°C~125°C</p> <p>When choosing the fuses specification, if the operating environmental temperature beyond the scope from 20~30°C, you should consider the environmental temperature's affection to fuses.</p> <p>若貴司操作環境溫度超出25±5°C範圍，在選用保險絲規格時，需考慮操作環境溫度對保險絲的影響。</p>
Storage Conditions 儲存條件	<p>Under airtight in temperature +10°C~60°C、relative humidity ≤75% can store 3 years.</p> <p>在溫度+10°C~60°C、相對濕度≤75%的密封條件下可存放3年。</p> <p>Without dew in temperature+10°C~60°C、relative humidity be 95% maximum value for 30 days.</p> <p>在溫度+10°C~60°C、相對濕度為95%的非露天下最多可存放30天。</p>
Installation Way & Parameters 安裝方式及條件	<p>Wave soldering parameters / 波峰焊</p> <p>Solder pot temperature / 錫爐溫度: 270°C Max</p> <p>Solder dwell time / 焊接時間: 10s Max</p> <p>Hand welding parameters / 手工焊</p> <p>Solder iron temperature / 烙鐵溫度: 350±5°C</p> <p>Heating time / 焊接時間: 5s Max</p>

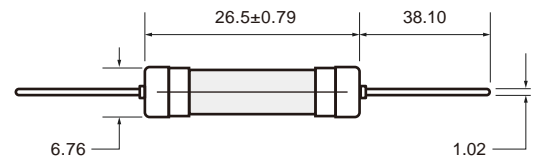


Dimensions / 尺寸圖 (Unit / 單位:mm)

WM70-XXX



WM70-XXX-P



Electrical Characteristics / 電氣特性

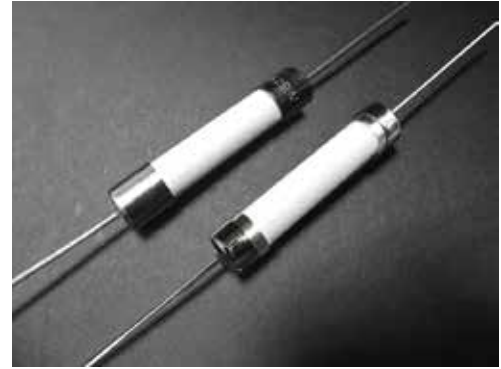
Type 品名	Ordering P / N 料號		Rated Current 額定電流	Breaking Capacity 分斷能力
WM70	WM70-XXX	WM70-XXX-P		75VDC / 2500A
	WM70-5	WM70-5-P	5A	
	WM70-6	WM70-6-P	6A	
	WM70-10	WM70-10-P	10A	
	WM70-15	WM70-15-P	15A	
	WM70-20	WM70-20-P	20A	
	WM70-25	WM70-25-P	25A	
	WM70-30	WM70-30-P	30A	
	WM70-40	WM70-40-P	40A	
WM70-50	WM70-50-P	50A		

I-T Characteristics / 時間-電流特性

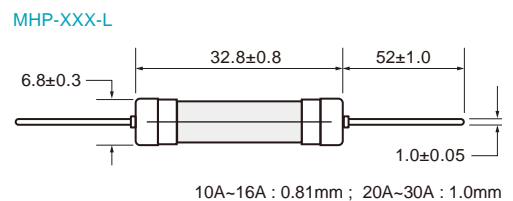
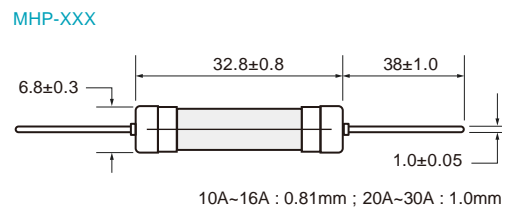
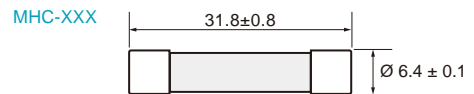
% of Ampere Rating 額定電流%	Opening Time 熔斷時間
150%	30 min Max. / 最長30分鐘
200%	30 min Max. / 最長30分鐘
300%	10s Max. / 最長10秒

Product Features / 產品特性

Operating Temperature 操作溫度	Operating temperature / 操作溫度範圍: -55°C~125°C When choosing the fuses specification, if the operating environmental temperature beyond the scope from 20~30°C, you should consider the environmental temperature's affection to fuses. 若貴司操作環境溫度超出25±5°C範圍, 在選用保險絲規格時, 需考慮操作環境溫度對保險絲的影響。
Storage Conditions 儲存條件	Under airtight in temperature +10°C~60°C、relative humidity ≤75% can store 3 years. 在溫度+10°C~60°C、相對濕度≤75%的密封條件下可存放3年。 Without dew in temperature+10°C~60°C、relative humidity be 95% maximum value for 30 days. 在溫度+10°C~60°C、相對濕度為95%的非露天下最多可存放30天。
Installation Way & Parameters 安裝方式及條件	Wave soldering parameters / 波峰焊 Solder pot temperature / 錫爐溫度: 270°C Max Solder dwell time / 焊接時間: 10s Max
	Hand welding parameters / 手工焊 Solder iron temperature / 烙鐵溫度: 350±5°C Heating time / 焊接時間: 5s Max



Dimensions / 尺寸圖 (Unit / 單位:mm)

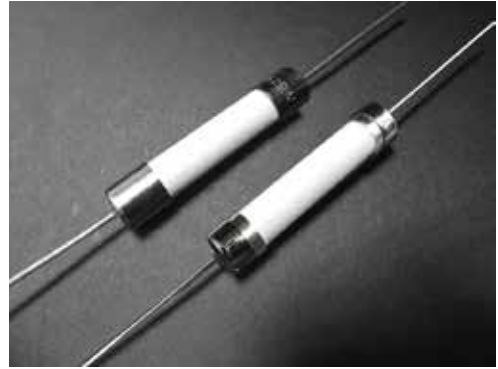


Electrical Characteristics / 電氣特性

Type 品名	Ordering P / N 料號			Rated Current 額定電流	Breaking Capacity 分斷能力	Safety Approvals 安全認證
MHC / MHP	MHC-XXX	MHP-XXX	MHP-XXX-L			
	MHC-10	MHP-10	MHP-10-L	10A	500VAC / 30KA 500VDC / 20KA	●
	MHC-12	MHP-12	MHP-12-L	12A		●
	MHC-15	MHP-15	MHP-15-L	15A		●
	MHC-16	MHP-16	MHP-16-L	16A		●
	MHC-20	MHP-20	MHP-20-L	20A		●
	MHC-25	MHP-25	MHP-25-L	25A		●
	MHC-30	MHP-30	MHP-30-L	30A		●

I-T Characteristics / 時間-電流特性

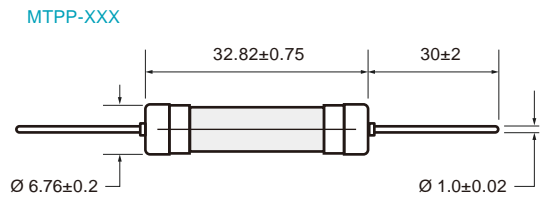
% of Ampere Rating 額定電流%	Opening Time 熔斷時間
100%	4 Hrs Min. / 最短4小時
200%	120s Max. / 最長120秒



Product Features / 產品特性

Operating Temperature 操作溫度	<p>Operating temperature / 操作溫度範圍: -55°C~125°C</p> <p>When choosing the fuses specification, if the operating environmental temperature beyond the scope from 20~30°C, you should consider the environmental temperature's affection to fuses.</p> <p>若貴司操作環境溫度超出25±5°C範圍，在選用保險絲規格時，需考慮操作環境溫度對保險絲的影響。</p>
Storage Conditions 儲存條件	<p>Under airtight in temperature +10°C~60°C、relative humidity ≤75% can store 3 years.</p> <p>在溫度+10°C~60°C、相對濕度≤75%的密閉條件下可存放3年。</p> <p>Without dew in temperature+10°C~60°C、relative humidity be 95% maximum value for 30 days.</p> <p>在溫度+10°C~60°C、相對濕度為95%的非露天下最多可存放30天。</p>
Installation Way & Parameters 安裝方式及條件	<p>Wave soldering parameters / 波峰焊</p> <p>Solder pot temperature / 錫爐溫度: 270°C Max</p> <p>Solder dwell time / 焊接時間: 10s Max</p>
	<p>Hand welding parameters / 手工焊</p> <p>Solder iron temperature / 烙鐵溫度: 350±5°C</p> <p>Heating time / 焊接時間: 5s Max</p>

Dimensions / 尺寸圖 (Unit / 單位:mm)



Electrical Characteristics / 電氣特性

Type 品名	Ordering P / N 料號	Rated Current 額定電流	Breaking Capacity 分斷能力	Safety Approvals 安全認證
MTPP	MTPP-XXX			
	MTPP-40	40A	250VAC / 1000A	●

I-T Characteristics / 時間-電流特性

% of Ampere Rating 額定電流%	Opening Time 熔斷時間
110%	14400s Min. / 最短14400秒
200%	1s Min. / 最短1秒
	300s Max. / 最長300秒
300%	0.2s Min. / 最短0.2秒
	30s Max. / 最長30秒
500%	0.1s Min. / 最短0.1秒
	10s Max. / 最長10秒

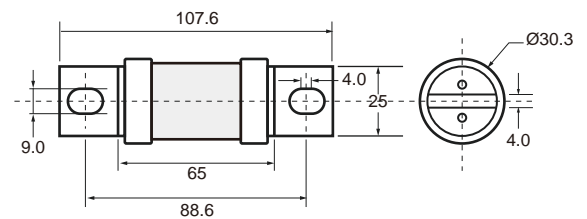
Product Features / 產品特性

Operating Temperature 操作溫度	Operating temperature / 操作溫度範圍: -55°C~125°C When choosing the fuses specification, if the operating environmental temperature beyond the scope from 20~30°C, you should consider the environmental temperature's affection to fuses. 若貴司操作環境溫度超出25±5°C範圍, 在選用保險絲規格時, 需考慮操作環境溫度對保險絲的影響。
Storage Conditions 儲存條件	Under airtight in temperature +10°C~60°C、relative humidity ≤75% can store 3 years. 在溫度+10°C~60°C、相對濕度≤75%的密封條件下可存放3年。 Without dew in temperature+10°C~60°C、relative humidity be 95% maximum value for 30 days. 在溫度+10°C~60°C、相對濕度為95%的非露天下最多可存放30天。
Installation Way & Parameters 安裝方式及條件	Stud-mount / 螺絲安裝
	Wave soldering parameters / 波峰焊 Solder pot temperature / 錫爐溫度: 270°C Max Solder dwell time / 焊接時間: 10s Max Hand welding parameters / 手工焊 Solder iron temperature / 烙鐵溫度: 350±5°C Heating time / 焊接時間: 5s Max



Dimensions / 尺寸圖 (Unit / 單位:mm)

WE30-XXX-CT



Electrical Characteristics / 電氣特性

Type 品名	Ordering P / N 料號	Rated Current 額定電流	Breaking Capacity 分斷能力
WE30	WE30-XXX-CT		700VDC / 10KA
	WE30-50-CT	50A	
	WE30-60-CT	60A	
	WE30-70-CT	70A	
	WE30-80-CT	80A	
	WE30-90-CT	90A	
	WE30-100-CT	100A	
	WE30-125-CT	125A	
	WE30-150-CT	150A	
	WE30-175-CT	175A	
WE30-200-CT	200A		

I-T Characteristics / 時間-電流特性

% of Ampere Rating 額定電流%	Opening Time 熔斷時間
110%	14400s Min. / 最短14400秒
200%	1s Min. / 最短1秒
	300s Max. / 最長300秒
300%	0.2s Min. / 最短0.2秒
	30s Max. / 最長30秒
500%	0.1s Min. / 最短0.1秒
	10s Max. / 最長10秒

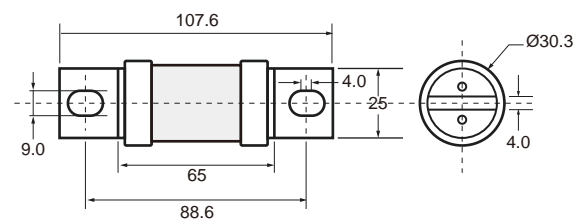
Product Features / 產品特性

Operating Temperature 操作溫度	Operating temperature / 操作溫度範圍: -55°C~125°C When choosing the fuses specification, if the operating environmental temperature beyond the scope from 20~30°C, you should consider the environmental temperature's affection to fuses. 若貴司操作環境溫度超出25±5°C範圍, 在選用保險絲規格時, 需考慮操作環境溫度對保險絲的影響。
Storage Conditions 儲存條件	Under airtight in temperature +10°C~60°C、relative humidity ≤75% can store 3 years. 在溫度+10°C~60°C、相對濕度≤75%的密封條件下可存放3年。 Without dew in temperature+10°C~60°C、relative humidity be 95% maximum value for 30 days. 在溫度+10°C~60°C、相對濕度為95%的非露天下最多可存放30天。
Installation Way & Parameters 安裝方式及條件	Stud-mount / 螺絲安裝
	Wave soldering parameters / 波峰焊 Solder pot temperature / 錫爐溫度: 270°C Max Solder dwell time / 焊接時間: 10s Max Hand welding parameters / 手工焊 Solder iron temperature / 烙鐵溫度: 350±5°C Heating time / 焊接時間: 5s Max



Dimensions / 尺寸圖 (Unit / 單位:mm)

WE35-XXX-CT



Electrical Characteristics / 電氣特性

Type 品名	Ordering P / N 料號	Rated Current 額定電流	Breaking Capacity 分斷能力
WE35	WE35-XXX-CT		800VDC / 10KA
	WE35-60-CT	60A	
	WE35-70-CT	70A	
	WE35-80-CT	80A	
	WE35-90-CT	90A	
	WE35-100-CT	100A	
	WE35-125-CT	125A	
	WE35-150-CT	150A	

I-T Characteristics / 時間-電流特性

% of Ampere Rating 額定電流%	Opening Time 熔斷時間
110%	14400s Min. / 最短14400秒
200%	1s Min. / 最短1秒
	300s Max. / 最長300秒
300%	0.2s Min. / 最短0.2秒
	30s Max. / 最長30秒
500%	0.1s Min. / 最短0.1秒
	10s Max. / 最長10秒

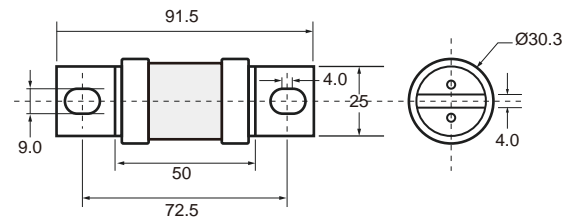
Product Features / 產品特性

Operating Temperature 操作溫度	Operating temperature / 操作溫度範圍: -55°C~125°C When choosing the fuses specification, if the operating environmental temperature beyond the scope from 20~30°C, you should consider the environmental temperature's affection to fuses. 若貴司操作環境溫度超出25±5°C範圍，在選用保險絲規格時，需考慮操作環境溫度對保險絲的影響。
Storage Conditions 儲存條件	Under airtight in temperature +10°C~60°C、relative humidity ≤75% can store 3 years. 在溫度+10°C~60°C、相對濕度≤75%的密封條件下可存放3年。 Without dew in temperature+10°C~60°C、relative humidity be 95% maximum value for 30 days. 在溫度+10°C~60°C、相對濕度為95%的非露天下最多可存放30天。
Installation Way & Parameters 安裝方式及條件	Stud-mount / 螺絲安裝 Wave soldering parameters / 波峰焊 Solder pot temperature / 錫爐溫度: 270°C Max Solder dwell time / 焊接時間: 10s Max
	Hand welding parameters / 手工焊 Solder iron temperature / 烙鐵溫度: 350±5°C Heating time / 焊接時間: 5s Max



Dimensions / 尺寸圖 (Unit / 單位:mm)

WE50-XXX-CT



Electrical Characteristics / 電氣特性

Type 品名	Ordering P / N 料號	Rated Current 額定電流	Breaking Capacity 分斷能力
WE50	WE50-XXX-CT		500VDC / 10KA
	WE50-60-CT	60A	
	WE50-70-CT	70A	
	WE50-80-CT	80A	
	WE50-90-CT	90A	
	WE50-100-CT	100A	
	WE50-125-CT	125A	
	WE50-150-CT	150A	
	WE50-175-CT	175A	
	WE50-200-CT	200A	
WE50-250-CT	250A		

I-T Characteristics / 時間-電流特性

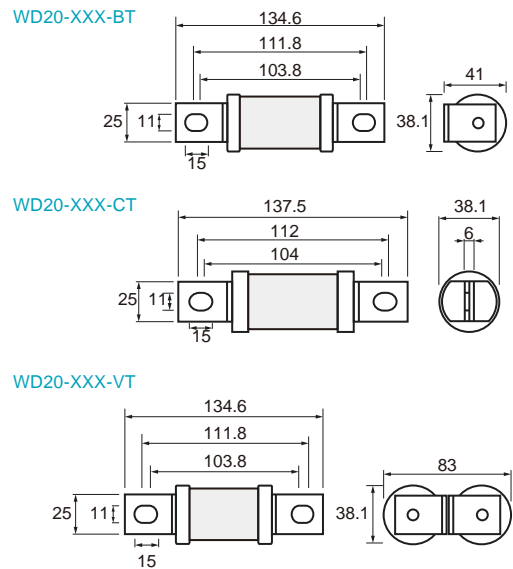
% of Ampere Rating 額定電流%	Opening Time 熔斷時間
110%	14400s Min. / 最短14400秒
200%	1s Min. / 最短1秒
	300s Max. / 最長300秒
300%	0.2s Min. / 最短0.2秒
	30s Max. / 最長30秒
500%	0.1s Min. / 最短0.1秒
	10s Max. / 最長10秒

Product Features / 產品特性

Operating Temperature 操作溫度	Operating temperature / 操作溫度範圍: -55°C~125°C When choosing the fuses specification, if the operating environmental temperature beyond the scope from 20~30°C, you should consider the environmental temperature's affection to fuses. 若貴司操作環境溫度超出25±5°C範圍, 在選用保險絲規格時, 需考慮操作環境溫度對保險絲的影響。
Storage Conditions 儲存條件	Under airtight in temperature +10°C~60°C、relative humidity ≤75% can store 3 years. 在溫度+10°C~60°C、相對濕度≤75%的密封條件下可存放3年。 Without dew in temperature+10°C~60°C、relative humidity be 95% maximum value for 30 days. 在溫度+10°C~60°C、相對濕度為95%的非露天下最多可存放30天。
Installation Way & Parameters 安裝方式及條件	Stud-mount / 螺絲安裝
	Wave soldering parameters / 波峰焊 Solder pot temperature / 錫爐溫度: 270°C Max Solder dwell time / 焊接時間: 10s Max
	Hand welding parameters / 手工焊 Solder iron temperature / 烙鐵溫度: 350±5°C Heating time / 焊接時間: 5s Max



Dimensions / 尺寸圖 (Unit / 單位:mm)



Electrical Characteristics / 電氣特性

Type 品名	Ordering P / N 料號		Rated Current 額定電流	Breaking Capacity 分斷能力
WD20 (Single)	WD20-XXX-BT	WD20-XXX-CT		700VDC / 10KA
	WD20-125-BT	WD20-125-CT	125A	
	WD20-150-BT	WD20-150-CT	150A	
	WD20-175-BT	WD20-175-CT	175A	
	WD20-200-BT	WD20-200-CT	200A	
	WD20-225-BT	-	225A	
	WD20-250-BT	WD20-250-CT	250A	
	WD20-300-BT	WD20-300-CT	300A	
	WD20-350-BT	WD20-350-CT	350A	
WD20 (Twins)	WD20-XXX-VT	-	-	700VDC / 10KA
	WD20-450-VT	-	450A	
	WD20-500-VT	-	500A	
	WD20-600-VT	-	600A	
	WD20-700-VT	-	700A	

I-T Characteristics / 時間-電流特性

% of Ampere Rating 額定電流%	Opening Time 熔斷時間
110%	14400s Min. / 最短14400秒
200%	1s Min. / 最短1秒
	300s Max. / 最長300秒
300%	0.2s Min. / 最短0.2秒
	30s Max. / 最長30秒
500%	0.1s Min. / 最短0.1秒
	10s Max. / 最長10秒

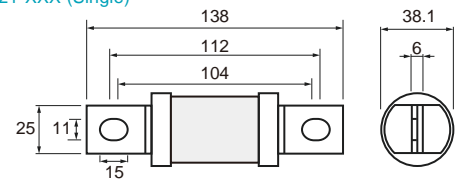
Product Features / 產品特性

Operating Temperature 操作溫度	<p>Operating temperature / 操作溫度範圍: -55°C~125°C</p> <p>When choosing the fuses specification, if the operating environmental temperature beyond the scope from 20~30°C, you should consider the environmental temperature's affection to fuses.</p> <p>若貴司操作環境溫度超出25±5°C範圍，在選用保險絲規格時，需考慮操作環境溫度對保險絲的影響。</p>
Storage Conditions 儲存條件	<p>Under airtight in temperature +10°C~60°C、relative humidity ≤75% can store 3 years.</p> <p>在溫度+10°C~60°C、相對濕度≤75%的密封條件下可存放3年。</p> <p>Without dew in temperature+10°C~60°C、relative humidity be 95% maximum value for 30 days.</p> <p>在溫度+10°C~60°C、相對濕度為95%的非露天下最多可存放30天。</p>
Installation Way & Parameters 安裝方式及條件	<p>Stud-mount / 螺絲安裝</p> <p>Wave soldering parameters / 波峰焊 Solder pot temperature / 錫爐溫度: 270°C Max Solder dwell time / 焊接時間: 10s Max</p> <p>Hand welding parameters / 手工焊 Solder iron temperature / 烙鐵溫度: 350±5°C Heating time / 焊接時間: 5s Max</p>

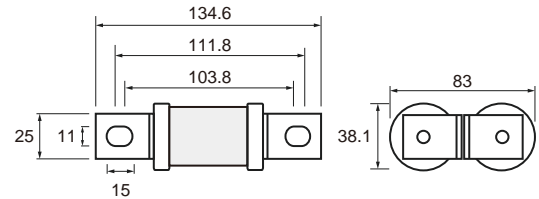


Dimensions / 尺寸圖 (Unit / 單位:mm)

WD21-XXX (Single)



WD21-XXX (Twins)



Electrical Characteristics / 電氣特性

Type 品名	Ordering P / N 料號	Rated Current 額定電流	Breaking Capacity 分斷能力
WD21 (Single)	WD21-XXX		
	WD21-100	100A	700VDC / 20KA
	WD21-150	150A	
	WD21-200	200A	
	WD21-250	250A	
	WD21-300	300A	
WD21-400	400A		
WD21 (Twins)	WD21-500	500A	700VDC / 20KA
	WD21-800	800A	

I-T Characteristics / 時間-電流特性

% of Ampere Rating 額定電流%	Opening Time 熔斷時間
110%	14400s Min. / 最短14400秒
200%	1s Min. / 最短1秒
	300s Max. / 最長300秒
300%	0.2s Min. / 最短0.2秒
	30s Max. / 最長30秒
500%	0.1s Min. / 最短0.1秒
	10s Max. / 最長10秒

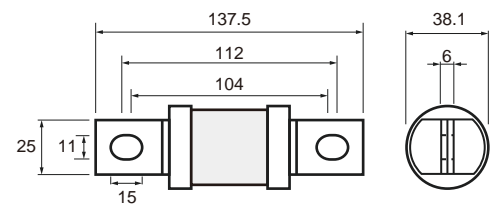
Product Features / 產品特性

Operating Temperature 操作溫度	<p>Operating temperature / 操作溫度範圍: -55°C~125°C</p> <p>When choosing the fuses specification, if the operating environmental temperature beyond the scope from 20~30°C, you should consider the environmental temperature's affection to fuses.</p> <p>若貴司操作環境溫度超出25±5°C範圍, 在選用保險絲規格時, 需考慮操作環境溫度對保險絲的影響。</p>
Storage Conditions 儲存條件	<p>Under airtight in temperature +10°C~60°C、relative humidity ≤75% can store 3 years.</p> <p>在溫度+10°C~60°C、相對濕度≤75%的密封條件下可存放3年。</p> <p>Without dew in temperature+10°C~60°C、relative humidity be 95% maximum value for 30 days.</p> <p>在溫度+10°C~60°C、相對濕度為95%的非露天下最多可存放30天。</p>
Installation Way & Parameters 安裝方式及條件	<p>Stud-mount / 螺絲安裝</p>
	<p>Wave soldering parameters / 波峰焊</p> <p>Solder pot temperature / 錫爐溫度: 270°C Max</p> <p>Solder dwell time / 焊接時間: 10s Max</p> <p>Hand welding parameters / 手工焊</p> <p>Solder iron temperature / 烙鐵溫度: 350±5°C</p> <p>Heating time / 焊接時間: 5s Max</p>



Dimensions / 尺寸圖 (Unit / 單位:mm)

WD25-XXX-CT (Single)



Electrical Characteristics / 電氣特性

Type 品名	Ordering P / N 料號	Rated Current 額定電流	Breaking Capacity 分斷能力
WD25 (Single)	WD25-XXX-CT		
	WD25-150-CT	150 A	750VDC / 50KA
	WD25-175-CT	175 A	
	WD25-200-CT	200 A	
	WD25-250-CT	250 A	

I-T Characteristics / 時間-電流特性

% of Ampere Rating 額定電流%	Opening Time 熔斷時間
110%	14400s Min. / 最短14400秒
200%	1s Min. / 最短1秒
	300s Max. / 最長300秒
300%	0.2s Min. / 最短0.2秒
	30s Max. / 最長30秒
500%	0.1s Min. / 最短0.1秒
	10s Max. / 最長10秒

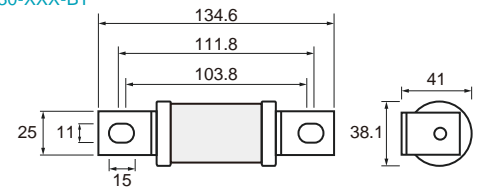
Product Features / 產品特性

Operating Temperature 操作溫度	<p>Operating temperature / 操作溫度範圍: -55°C~125°C</p> <p>When choosing the fuses specification, if the operating environmental temperature beyond the scope from 20~30°C, you should consider the environmental temperature's affection to fuses.</p> <p>若貴司操作環境溫度超出25±5°C範圍, 在選用保險絲規格時, 需考慮操作環境溫度對保險絲的影響。</p>
Storage Conditions 儲存條件	<p>Under airtight in temperature +10°C~60°C、relative humidity ≤75% can store 3 years.</p> <p>在溫度+10°C~60°C、相對濕度≤75%的密閉條件下可存放3年。</p> <p>Without dew in temperature+10°C~60°C、relative humidity be 95% maximum value for 30 days.</p> <p>在溫度+10°C~60°C、相對濕度為95%的非露天下最多可存放30天。</p>
Installation Way & Parameters 安裝方式及條件	Stud-mount / 螺絲安裝
	<p>Wave soldering parameters / 波峰焊</p> <p>Solder pot temperature / 錫爐溫度: 270°C Max</p> <p>Solder dwell time / 焊接時間: 10s Max</p>
	<p>Hand welding parameters / 手工焊</p> <p>Solder iron temperature / 烙鐵溫度: 350±5°C</p> <p>Heating time / 焊接時間: 5s Max</p>

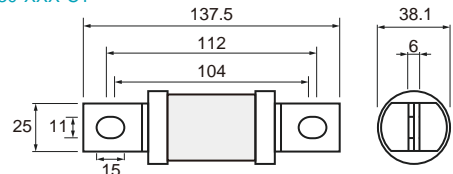


Dimensions / 尺寸圖 (Unit / 單位:mm)

WD30-XXX-BT



WD30-XXX-CT



Electrical Characteristics / 電氣特性

Type 品名	Ordering P / N 料號		Rated Current 額定電流	Breaking Capacity 分斷能力
WD30	WD30-XXX-BT	WD30-XXX-CT		800VDC / 10KA
	-	WD30-200-CT	200A	
	-	WD30-250-CT	250A	
	WD30-300-BT	WD30-300-CT	300A	
	WD30-350-BT	WD30-350-CT	350A	
	WD30-400-BT	WD30-400-CT	400A	

I-T Characteristics / 時間-電流特性

% of Ampere Rating 額定電流%	Opening Time 熔斷時間
110%	14400s Min. / 最短14400秒
200%	1s Min. / 最短1秒
	300s Max. / 最長300秒
300%	0.2s Min. / 最短0.2秒
	30s Max. / 最長30秒
500%	0.1s Min. / 最短0.1秒
	10s Max. / 最長10秒

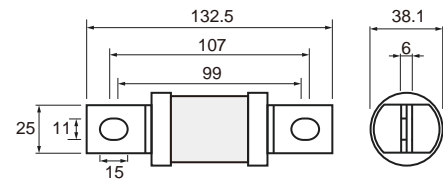
Product Features / 產品特性

Operating Temperature 操作溫度	<p>Operating temperature / 操作溫度範圍: -55°C~125°C</p> <p>When choosing the fuses specification, if the operating environmental temperature beyond the scope from 20~30°C, you should consider the environmental temperature's affection to fuses.</p> <p>若貴司操作環境溫度超出25±5°C範圍, 在選用保險絲規格時, 需考慮操作環境溫度對保險絲的影響。</p>
Storage Conditions 儲存條件	<p>Under airtight in temperature +10°C~60°C、relative humidity ≤75% can store 3 years.</p> <p>在溫度+10°C~60°C、相對濕度≤75%的密閉條件下可存放3年。</p> <p>Without dew in temperature+10°C~60°C、relative humidity be 95% maximum value for 30 days.</p> <p>在溫度+10°C~60°C、相對濕度為95%的非露天下最多可存放30天。</p>
Installation Way & Parameters 安裝方式及條件	<p>Stud-mount / 螺絲安裝</p>
	<p>Wave soldering parameters / 波峰焊</p> <p>Solder pot temperature / 錫爐溫度: 270°C Max</p> <p>Solder dwell time / 焊接時間: 10s Max</p> <p>Hand welding parameters / 手工焊</p> <p>Solder iron temperature / 烙鐵溫度: 350±5°C</p> <p>Heating time / 焊接時間: 5s Max</p>



Dimensions / 尺寸圖 (Unit / 單位:mm)

WD35-XXX (Single)



Electrical Characteristics / 電氣特性

Type 品名	Ordering P / N 料號	Rated Current 額定電流	Breaking Capacity 分斷能力
WD35 (Single)	WD35-XXX		
	WD35-150	150A	800VDC / 20KA
	WD35-200	200A	
	WD35-300	300A	
	WD35-400	400A	

I-T Characteristics / 時間-電流特性

% of Ampere Rating 額定電流%	Opening Time 熔斷時間
110%	14400s Min. / 最短14400秒
200%	1s Min. / 最短1秒
	300s Max. / 最長300秒
300%	0.2s Min. / 最短0.2秒
	30s Max. / 最長30秒
500%	0.1s Min. / 最短0.1秒
	10s Max. / 最長10秒

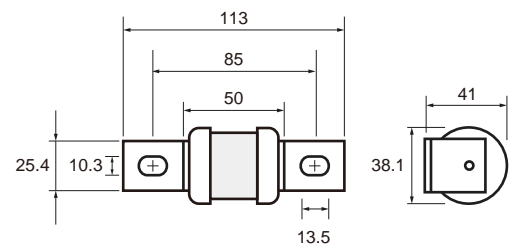
Product Features / 產品特性

Operating Temperature 操作溫度	Operating temperature / 操作溫度範圍: -55°C~125°C When choosing the fuses specification, if the operating environmental temperature beyond the scope from 20~30°C, you should consider the environmental temperature's affection to fuses. 若貴司操作環境溫度超出25±5°C範圍, 在選用保險絲規格時, 需考慮操作環境溫度對保險絲的影響。
Storage Conditions 儲存條件	Under airtight in temperature +10°C~60°C & relative humidity ≤75% can store 3 years. 在溫度+10°C~60°C、相對濕度≤75%的密封條件下可存放3年。 Without dew in temperature+10°C~60°C & relative humidity be 95% maximum value for 30 days. 在溫度+10°C~60°C、相對濕度為95%的非露天下最多可存放30天。
Installation Way & Parameters 安裝方式及條件	Stud-mount / 螺絲安裝
	Wave soldering parameters / 波峰焊 Solder pot temperature / 錫爐溫度: 270°C Max Solder dwell time / 焊接時間: 10s Max Hand welding parameters / 手工焊 Solder iron temperature / 烙鐵溫度: 350±5°C Heating time / 焊接時間: 5s Max



Dimensions / 尺寸圖 (Unit / 單位:mm)

WD50-XXX-BT (Single)



Electrical Characteristics / 電氣特性

Type 品名	Ordering P / N 料號	Rated Current 額定電流	Breaking Capacity 分斷能力
WD50 (Single)	WD50-XXX-BT		300VDC / 10KA
	WD50-200-BT	200A	
	WD50-225-BT	225A	
	WD50-250-BT	250A	
	WD50-300-BT	300A	
	WD50-350-BT	350A	
	WD50-400-BT	400A	

I-T Characteristics / 時間-電流特性

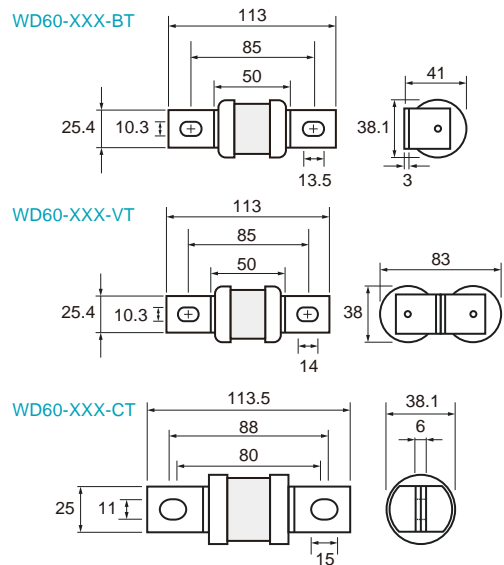
% of Ampere Rating 額定電流%	Opening Time 熔斷時間
110%	14400s Min. / 最短14400秒
200%	1s Min. / 最短1秒
	300s Max. / 最長300秒
300%	0.2s Min. / 最短0.2秒
	30s Max. / 最長30秒
500%	0.1s Min. / 最短0.1秒
	10s Max. / 最長10秒

Product Features / 產品特性

Operating Temperature 操作溫度	Operating temperature / 操作溫度範圍: -55°C~125°C When choosing the fuses specification, if the operating environmental temperature beyond the scope from 20~30°C, you should consider the environmental temperature's affection to fuses. 若貴司操作環境溫度超出25±5°C範圍, 在選用保險絲規格時, 需考慮操作環境溫度對保險絲的影響。
Storage Conditions 儲存條件	Under airtight in temperature +10°C~60°C、relative humidity ≤75% can store 3 years. 在溫度+10°C~60°C、相對濕度≤75%的密閉條件下可存放3年。 Without dew in temperature+10°C~60°C、relative humidity be 95% maximum value for 30 days. 在溫度+10°C~60°C、相對濕度為95%的非露天下最多可存放30天。
Installation Way & Parameters 安裝方式及條件	Stud-mount / 螺絲安裝
	Wave soldering parameters / 波峰焊 Solder pot temperature / 錫爐溫度: 270°C Max Solder dwell time / 焊接時間: 10s Max
	Hand welding parameters / 手工焊 Solder iron temperature / 烙鐵溫度: 350±5°C Heating time / 焊接時間: 5s Max



Dimensions / 尺寸圖 (Unit / 單位:mm)



Electrical Characteristics / 電氣特性

Type 品名	Ordering P / N 料號		Rated Current 額定電流	Breaking Capacity 分斷能力
WD60	WD60-XXX-BT	WD60-XXX-CT		500VDC / 10KA
	WD60-200-BT	WD60-200-CT	200A	
	WD60-225-BT	-	225A	
	WD60-250-BT	WD60-250-CT	250A	
	WD60-300-BT	WD60-300-CT	300A	
	WD60-350-BT	WD60-350-CT	350A	
	WD60-400-BT	WD60-400-CT	400A	
	WD60-XXX-VT	-	-	500VDC / 10KA
	WD60-450-VT	-	450A	
	WD60-500-VT	-	500A	
WD60-600-VT	-	600A		

I-T Characteristics / 時間-電流特性

% of Ampere Rating 額定電流%	Opening Time 熔斷時間
110%	14400s Min. / 最短14400秒
200%	1s Min. / 最短1秒
	300s Max. / 最長300秒
300%	0.2s Min. / 最短0.2秒
	30s Max. / 最長30秒
500%	0.1s Min. / 最短0.1秒
	10s Max. / 最長10秒

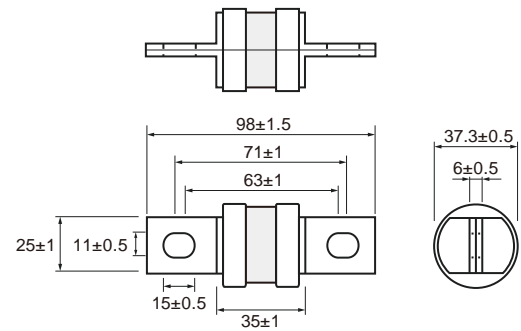
Product Features / 產品特性

Operating Temperature 操作溫度	<p>Operating temperature / 操作溫度範圍: -55°C~125°C</p> <p>When choosing the fuses specification, if the operating environmental temperature beyond the scope from 20~30°C, you should consider the environmental temperature's affection to fuses.</p> <p>若貴司操作環境溫度超出25±5°C範圍, 在選用保險絲規格時, 需考慮操作環境溫度對保險絲的影響。</p>
Storage Conditions 儲存條件	<p>Under airtight in temperature +10°C~60°C、relative humidity ≤75% can store 3 years.</p> <p>在溫度+10°C~60°C、相對濕度≤75%的密封條件下可存放3年。</p> <p>Without dew in temperature+10°C~60°C、relative humidity be 95% maximum value for 30 days.</p> <p>在溫度+10°C~60°C、相對濕度為95%的非露天下最多可存放30天。</p>
Installation Way & Parameters 安裝方式及條件	Stud-mount / 螺絲安裝
	<p>Wave soldering parameters / 波峰焊</p> <p>Solder pot temperature / 錫爐溫度: 270°C Max</p> <p>Solder dwell time / 焊接時間: 10s Max</p>
	<p>Hand welding parameters / 手工焊</p> <p>Solder iron temperature / 烙鐵溫度: 350±5°C</p> <p>Heating time / 焊接時間: 5s Max</p>



Dimensions / 尺寸圖 (Unit / 單位:mm)

WD80-XXX-CT (Single)



Electrical Characteristics / 電氣特性

Type 品名	Ordering P / N 料號	Rated Current 額定電流	Breaking Capacity 分斷能力
WD80 (Single)	WD80-XXX-CT		250VDC / 10KA
	WD80-300-CT	300A	
	WD80-350-CT	350A	
	WD80-400-CT	400A	
	WD80-500-CT	500A	

I-T Characteristics / 時間-電流特性

% of Ampere Rating 額定電流%	Opening Time 熔斷時間
110%	14400s Min. / 最短14400秒
200%	1s Min. / 最短1秒
	300s Max. / 最長300秒
300%	0.2s Min. / 最短0.2秒
	30s Max. / 最長30秒
500%	0.1s Min. / 最短0.1秒
	10s Max. / 最長10秒

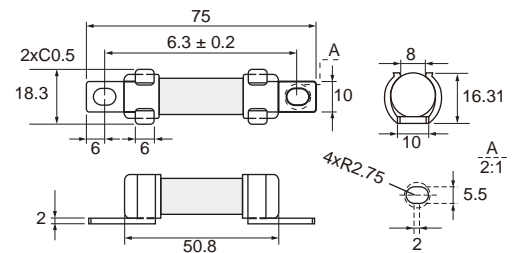
Product Features / 產品特性

Operating Temperature 操作溫度	Operating temperature / 操作溫度範圍: -55°C~125°C When choosing the fuses specification, if the operating environmental temperature beyond the scope from 20~30°C, you should consider the environmental temperature's affection to fuses. 若貴司操作環境溫度超出25±5°C範圍, 在選用保險絲規格時, 需考慮操作環境溫度對保險絲的影響。
Storage Conditions 儲存條件	Under airtight in temperature +10°C~60°C、relative humidity ≤75% can store 3 years. 在溫度+10°C~60°C、相對濕度≤75%的密封條件下可存放3年。 Without dew in temperature+10°C~60°C、relative humidity be 95% maximum value for 30 days. 在溫度+10°C~60°C、相對濕度為95%的非露天下最多可存放30天。
Installation Way & Parameters 安裝方式及條件	Stud-mount / 螺絲安裝
	Wave soldering parameters / 波峰焊 Solder pot temperature / 錫爐溫度: 270°C Max Solder dwell time / 焊接時間: 10s Max Hand welding parameters / 手工焊 Solder iron temperature / 烙鐵溫度: 350±5°C Heating time / 焊接時間: 5s Max



Dimensions / 尺寸圖 (Unit / 單位:mm)

WJ45-XXX-BT



Electrical Characteristics / 電氣特性

Type 品名	Ordering P / N 料號	Rated Current 額定電流	Breaking Capacity 分斷能力
WJ45 (Single)	WJ45-XXX-BT		
	WJ45-5-BT	5A	800VDC / 10KA
	WJ45-8-BT	8A	
	WJ45-10-BT	10A	
	WJ45-15-BT	15A	
	WJ45-20-BT	20A	
	WJ45-25-BT	25A	
	WJ45-32-BT	32A	
WJ45-40-BT	40A		

I-T Characteristics / 時間-電流特性

% of Ampere Rating 額定電流%	Opening Time 熔斷時間
110%	14400s Min. / 最短14400秒
200%	1s Min. / 最短1秒
	300s Max. / 最長300秒
300%	0.2s Min. / 最短0.2秒
	30s Max. / 最長30秒
500%	0.1s Min. / 最短0.1秒
	10s Max. / 最長10秒

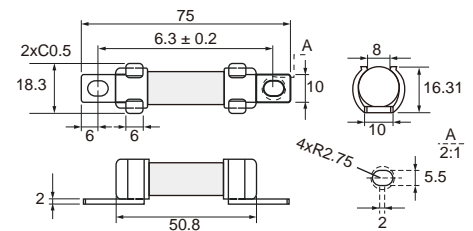
Product Features / 產品特性

Operating Temperature 操作溫度	<p>Operating temperature / 操作溫度範圍: $-55^{\circ}\text{C} \sim 125^{\circ}\text{C}$</p> <p>When choosing the fuses specification, if the operating environmental temperature beyond the scope from $20 \sim 30^{\circ}\text{C}$, you should consider the environmental temperature's affection to fuses.</p> <p>若貴司操作環境溫度超出$25 \pm 5^{\circ}\text{C}$範圍, 在選用保險絲規格時, 需考慮操作環境溫度對保險絲的影響。</p>
Storage Conditions 儲存條件	<p>Under airtight in temperature $+10^{\circ}\text{C} \sim 60^{\circ}\text{C}$ & relative humidity $\leq 75\%$ can store 3 years.</p> <p>在溫度$+10^{\circ}\text{C} \sim 60^{\circ}\text{C}$、相對濕度$\leq 75\%$的密封條件下可存放3年。</p> <p>Without dew in temperature $+10^{\circ}\text{C} \sim 60^{\circ}\text{C}$ & relative humidity be 95% maximum value for 30 days.</p> <p>在溫度$+10^{\circ}\text{C} \sim 60^{\circ}\text{C}$、相對濕度為95%的非露天下最多可存放30天。</p>
Installation Way & Parameters 安裝方式及條件	Stud-mount / 螺絲安裝
	<p>Wave soldering parameters / 波峰焊</p> <p>Solder pot temperature / 錫爐溫度: 270°C Max</p> <p>Solder dwell time / 焊接時間: 10s Max</p> <p>Hand welding parameters / 手工焊</p> <p>Solder iron temperature / 烙鐵溫度: $350 \pm 5^{\circ}\text{C}$</p> <p>Heating time / 焊接時間: 5s Max</p>

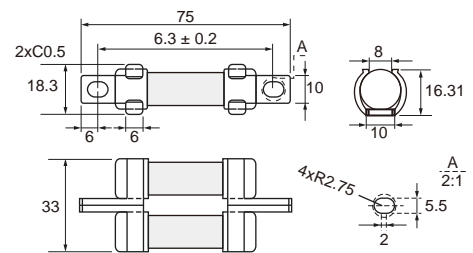


Dimensions / 尺寸圖 (Unit / 單位:mm)

WJ50-XXX-BT



WJ50-XXX-VT



Electrical Characteristics / 電氣特性

Type 品名	Ordering P / N 料號	Rated Current 額定電流	Breaking Capacity 分斷能力
WJ50 (Single)	WJ50-XXX-BT		
	WJ50-5-BT	5A	700VDC / 10KA
	WJ50-8-BT	8A	
	WJ50-10-BT	10A	
	WJ50-15-BT	15A	
	WJ50-20-BT	20A	
	WJ50-25-BT	25A	
	WJ50-32-BT	32A	
	WJ50-40-BT	40A	
WJ50-50-BT	50A		
WJ50 (Twins)	WJ50-XXX-VT	-	
	WJ50-60-VT	60A	700VDC / 10KA
	WJ50-80-VT	80A	
	WJ50-100-VT	100A	

I-T Characteristics / 時間-電流特性

% of Ampere Rating 額定電流%	Opening Time 熔斷時間
200%	120s Max. / 最長120秒

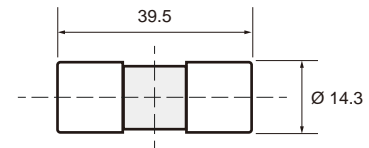
Product Features / 產品特性

Operating Temperature 操作溫度	<p>Operating temperature / 操作溫度範圍：-55°C~125°C</p> <p>When choosing the fuses specification, if the operating environmental temperature beyond the scope from 20~30°C, you should consider the environmental temperature's affection to fuses.</p> <p>若貴司操作環境溫度超出25±5°C範圍，在選用保險絲規格時，需考慮操作環境溫度對保險絲的影響。</p>
Storage Conditions 儲存條件	<p>Under airtight in temperature +10°C~60°C、relative humidity ≤75% can store 3 years.</p> <p>在溫度+10°C~60°C、相對濕度≤75%的密閉條件下可存放3年。</p> <p>Without dew in temperature+10°C~60°C、relative humidity be 95% maximum value for 30 days.</p> <p>在溫度+10°C~60°C、相對濕度為95%的非露天下最多可存放30天。</p>
Installation Way & Parameters 安裝方式及條件	Stud-mount / 螺絲安裝
	<p>Wave soldering parameters / 波峰焊</p> <p>Solder pot temperature / 錫爐溫度：270°C Max</p> <p>Solder dwell time / 焊接時間：10s Max</p> <p>Hand welding parameters / 手工焊</p> <p>Solder iron temperature / 烙鐵溫度：350±5°C</p> <p>Heating time / 焊接時間：5s Max</p>



Dimensions / 尺寸圖 (Unit / 單位:mm)

WJ60-XXX



Electrical Characteristics / 電氣特性

Type 品名	Ordering P / N 料號	Rated Current 額定電流	Breaking Capacity 分斷能力
WJ60	WJ60-XXX		
	WJ60-63	63A	500VAC / 1500A
	WJ60-125	125A	250VAC / 2500A

I-T Characteristics / 時間-電流特性

% of Ampere Rating 額定電流%	Opening Time 熔斷時間
110%	14400s Min. / 最長14400秒
200%	1s Min. / 最短1秒
	300s Max. / 最長300秒
300%	0.2s Min. / 最短0.2秒
	30s Max. / 最長30秒
500%	0.1s Min. / 最短0.1秒
	10s Max. / 最長10秒

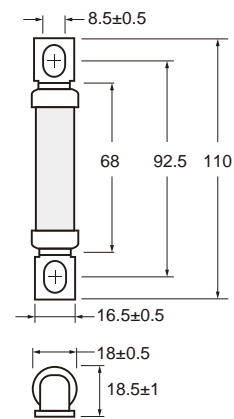
Product Features / 產品特性

Operating Temperature 操作溫度	<p>Operating temperature / 操作溫度範圍: -55°C~125°C</p> <p>When choosing the fuses specification, if the operating environmental temperature beyond the scope from 20~30°C, you should consider the environmental temperature's affection to fuses.</p> <p>若貴司操作環境溫度超出25±5°C範圍, 在選用保險絲規格時, 需考慮操作環境溫度對保險絲的影響。</p>
Storage Conditions 儲存條件	<p>Under airtight in temperature +10°C~60°C、relative humidity ≤75% can store 3 years.</p> <p>在溫度+10°C~60°C、相對濕度≤75%的密閉條件下可存放3年。</p> <p>Without dew in temperature+10°C~60°C、relative humidity be 95% maximum value for 30 days.</p> <p>在溫度+10°C~60°C、相對濕度為95%的非露天下最多可存放30天。</p>
Installation Way & Parameters 安裝方式及條件	<p>Stud-mount / 螺絲安裝</p>
	<p>Wave soldering parameters / 波峰焊</p> <p>Solder pot temperature / 錫爐溫度: 270°C Max</p> <p>Solder dwell time / 焊接時間: 10s Max</p> <p>Hand welding parameters / 手工焊</p> <p>Solder iron temperature / 烙鐵溫度: 350±5°C</p> <p>Heating time / 焊接時間: 5s Max</p>



Dimensions / 尺寸圖 (Unit / 單位:mm)

WH25-XXX (Single)



Electrical Characteristics / 電氣特性

Type 品名	Ordering P / N 料號	Rated Current 額定電流	Breaking Capacity 分斷能力
WH25 (Single)	WH25-XXX		
	WH25-50	50A	800VDC / 10KA
	WH25-60	60A	
	WH25-80	80A	
	WH25-100	100A	

I-T Characteristics / 時間-電流特性

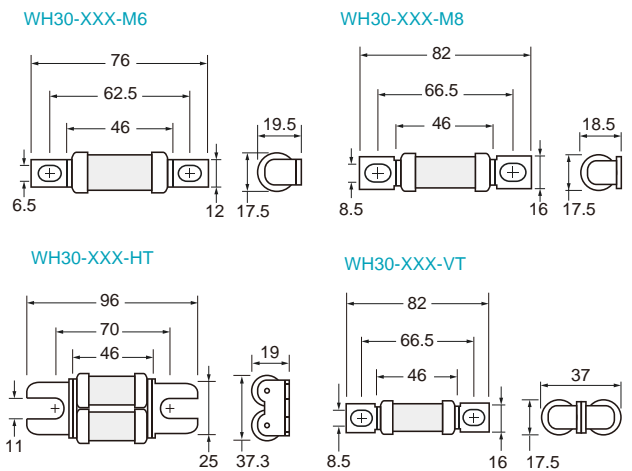
% of Ampere Rating 額定電流%	Opening Time 熔斷時間
110%	14400s Min. / 最短14400秒
200%	1s Min. / 最短1秒
	300s Max. / 最長300秒
300%	0.2s Min. / 最短0.2秒
	30s Max. / 最長30秒
500%	0.1s Min. / 最短0.1秒
	10s Max. / 最長10秒



Product Features / 產品特性

Operating Temperature 操作溫度	Operating temperature / 操作溫度範圍: -55°C~125°C When choosing the fuses specification, if the operating environmental temperature beyond the scope from 20~30°C, you should consider the environmental temperature's affection to fuses. 若貴司操作環境溫度超出25±5°C範圍, 在選用保險絲規格時, 需考慮操作環境溫度對保險絲的影響。
Storage Conditions 儲存條件	Under airtight in temperature +10°C~60°C、relative humidity ≤75% can store 3 years. 在溫度+10°C~60°C、相對濕度≤75%的密閉條件下可存放3年。 Without dew in temperature+10°C~60°C、relative humidity be 95% maximum value for 30 days. 在溫度+10°C~60°C、相對濕度為95%的非露天下最多可存放30天。
Installation Way & Parameters 安裝方式及條件	Stud-mount / 螺絲安裝
	Wave soldering parameters / 波峰焊 Solder pot temperature / 錫爐溫度: 270°C Max Solder dwell time / 焊接時間: 10s Max
	Hand welding parameters / 手工焊 Solder iron temperature / 烙鐵溫度: 350±5°C Heating time / 焊接時間: 5s Max

Dimensions / 尺寸圖 (Unit / 單位:mm)



Electrical Characteristics / 電氣特性

Type 品名	Ordering P / N 料號		Rated Current 額定電流	Breaking Capacity 分斷能力
WH30 (Single)	WH30-XXX-M6	WH30-XXX-M8		
	WH30-10-M6	WH30-10-M8	10A	1500VDC / 10KA
	WH30-15-M6	WH30-15-M8	15A	
	WH30-20-M6	WH30-20-M8	20A	
	WH30-25-M6	WH30-25-M8	25A	
	WH30-32-M6	WH30-32-M8	32A	
	WH30-35-M6	WH30-35-M8	35A	
	WH30-40-M6	WH30-40-M8	40A	
	WH30-50-M6	WH30-50-M8	50A	
	WH30-60-M6	WH30-60-M8	60A	
	WH30-70-M6	WH30-70-M8	70A	
	WH30-80-M6	WH30-80-M8	80A	
	WH30-100-M6	WH30-100-M8	100A	
	WH30-125-M6	WH30-125-M8	125A	500VDC / 6000A
	WH30-150-M6	WH30-150-M8	150A	
WH30 (Twins)	WH30-XXX-HT	WH30-XXX-VT	-	
	WH30-150-HT	WH30-150-VT	150A	500VDC / 10KA
	WH30-175-HT	WH30-175-VT	175A	
	WH30-200-HT	WH30-200-VT	200A	
	WH30-225-HT	WH30-225-VT	225A	
	WH30-250-HT	WH30-250-VT	250A	

I-T Characteristics / 時間-電流特性

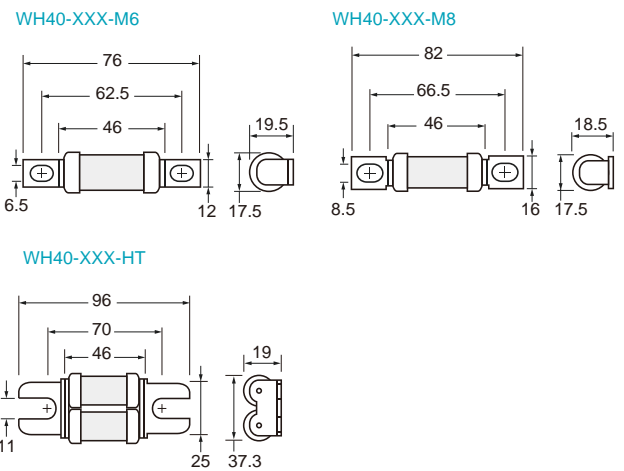
% of Ampere Rating 額定電流%	Opening Time 熔斷時間
110%	14400s Min. / 最短14400秒
200%	1s Min. / 最短1秒
	300s Max. / 最長300秒
300%	0.2s Min. / 最短0.2秒
	30s Max. / 最長30秒
500%	0.1s Min. / 最短0.1秒
	10s Max. / 最長10秒



Product Features / 產品特性

Operating Temperature 操作溫度	Operating temperature / 操作溫度範圍: -55°C~125°C When choosing the fuses specification, if the operating environmental temperature beyond the scope from 20~30°C, you should consider the environmental temperature's affection to fuses. 若貴司操作環境溫度超出25±5°C範圍，在選用保險絲規格時，需考慮操作環境溫度對保險絲的影響。
Storage Conditions 儲存條件	Under airtight in temperature +10°C~60°C、relative humidity ≤75% can store 3 years. 在溫度+10°C~60°C、相對濕度≤75%的密閉條件下可存放3年。 Without dew in temperature+10°C~60°C、relative humidity be 95% maximum value for 30 days. 在溫度+10°C~60°C、相對濕度為95%的非露天下最多可存放30天。
Installation Way & Parameters 安裝方式及條件	Stud-mount / 螺栓安裝 Wave soldering parameters / 波峰焊 Solder pot temperature / 錫爐溫度: 270°C Max Solder dwell time / 焊接時間: 10s Max Hand welding parameters / 手工焊 Solder iron temperature / 烙鐵溫度: 350±5°C Heating time / 焊接時間: 5s Max

Dimensions / 尺寸圖 (Unit / 單位:mm)



Electrical Characteristics / 電氣特性

Type 品名	Ordering P / N 料號		Rated Current 額定電流	Breaking Capacity 分斷能力
WH40 (Single)	WH40-XXX-M6	WH40-XXX-M8		700VDC / 10KA
	WH40-5-M6	WH40-5-M8	5A	
	WH40-8-M6	WH40-8-M8	8A	
	WH40-10-M6	WH40-10-M8	10A	
	WH40-15-M6	WH40-15-M8	15A	
	WH40-20-M6	WH40-20-M8	20A	
	WH40-25-M6	WH40-25-M8	25A	
	WH40-32-M6	WH40-32-M8	32A	
	WH40-40-M6	WH40-40-M8	40A	
WH40 (Twins)	WH40-XXX-HT	-	-	700VDC / 10KA
	WH40-80-HT	-	80A	
	WH40-90-HT	-	90A	
	WH40-100-HT	-	100A	
	WH40-125-HT	-	125A	
	WH40-150-HT	-	150A	

I-T Characteristics / 時間-電流特性

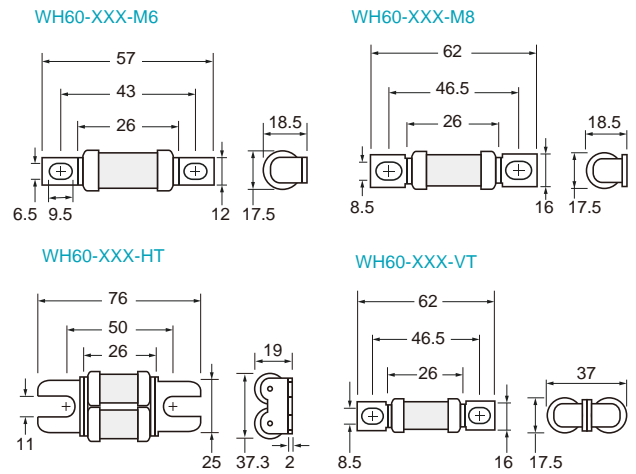
% of Ampere Rating 額定電流%	Opening Time 熔斷時間
110%	14400s Min. / 最長14400秒
200%	1s Min. / 最長1秒
	300s Max. / 最長300秒
300%	0.2s Min. / 最長0.2秒
	30s Max. / 最長30秒
500%	0.1s Min. / 最長0.1秒
	10s Max. / 最長10秒



Product Features / 產品特性

Operating Temperature 操作溫度	Operating temperature / 操作溫度範圍: -55°C~125°C When choosing the fuses specification, if the operating environmental temperature beyond the scope from 20~30°C, you should consider the environmental temperature's affection to fuses. 若貴司操作環境溫度超出25±5°C範圍, 在選用保險絲規格時, 需考慮操作環境溫度對保險絲的影響。
Storage Conditions 儲存條件	Under airtight in temperature +10°C~60°C、relative humidity ≤75% can store 3 years. 在溫度+10°C~60°C、相對濕度≤75%的密封條件下可存放3年。 Without dew in temperature+10°C~60°C、relative humidity be 95% maximum value for 30 days. 在溫度+10°C~60°C、相對濕度為95%的非露天下最多可存放30天。
Installation Way & Parameters 安裝方式及條件	Stud-mount / 螺絲安裝
	Wave soldering parameters / 波峰焊 Solder pot temperature / 錫爐溫度: 270°C Max Solder dwell time / 焊接時間: 10s Max
	Hand welding parameters / 手工焊 Solder iron temperature / 烙鐵溫度: 350±5°C Heating time / 焊接時間: 5s Max

Dimensions / 尺寸圖 (Unit / 單位:mm)



Electrical Characteristics / 電氣特性

Type 品名	Ordering P / N 料號		Rated Current 額定電流	Breaking Capacity 分斷能力
WH60 (Single)	WH60-XXX-M6	WH60-XXX-M8		150VDC / 10KA
	WH60-20-M6	WH60-20-M8	20A	
	WH60-25-M6	WH60-25-M8	25A	
	WH60-32-M6	WH60-32-M8	32A	
	WH60-40-M6	WH60-40-M8	40A	
	WH60-50-M6	WH60-50-M8	50A	
	WH60-60-M6	WH60-60-M8	60A	
	WH60-80-M6	WH60-80-M8	80A	
	WH60-100-M6	WH60-100-M8	100A	
	WH60-125-M6	WH60-125-M8	125A	
	WH60-150-M6	WH60-150-M8	150A	
	WH60-160-M6	WH60-160-M8	160A	
	WH60-180-M6	WH60-180-M8	180A	
	WH60-200-M6	WH60-200-M8	200A	
WH60-250-M6	WH60-250-M8	250A		
WH60-300-M6	WH60-300-M8	300A		
WH60 (Twins)	WH60-XXX-VT	WH60-XXX-HT	-	150VDC / 10KA
	-	WH60-300-HT	300A	
	-	WH60-350-HT	350A	
	WH60-400-VT	WH60-400-HT	400A	
	WH60-500-VT	WH60-500-HT	500A	
	WH60-600-VT	WH60-600-HT	600A	

I-T Characteristics / 時間-電流特性

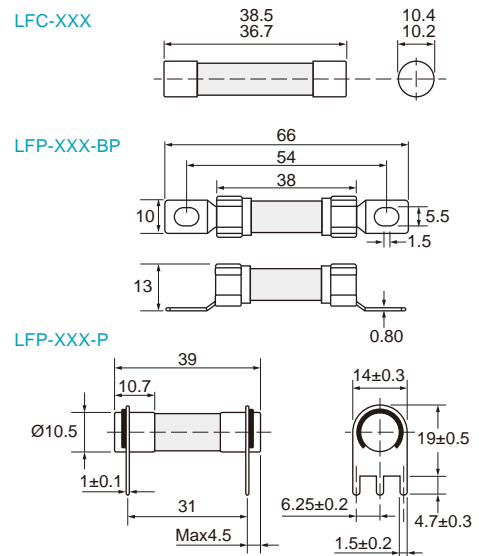
% of Ampere Rating 額定電流%	Opening Time 熔斷時間
110%	14400s Min. / 最短14400秒
200%	1s Min. / 最短1秒
	300s Max. / 最長300秒
300%	0.2s Min. / 最短0.2秒
	30s Max. / 最長30秒
500%	0.1s Min. / 最短0.1秒
	10s Max. / 最長10秒

Product Features / 產品特性

Operating Temperature 操作溫度	Operating temperature / 操作溫度範圍: -55°C~125°C When choosing the fuses specification, if the operating environmental temperature beyond the scope from 20~30°C, you should consider the environmental temperature's affection to fuses. 若貴司操作環境溫度超出25±5°C範圍, 在選用保險絲規格時, 需考慮操作環境溫度對保險絲的影響。
Storage Conditions 儲存條件	Under airtight in temperature +10°C~60°C、relative humidity ≤75% can store 3 years. 在溫度+10°C~60°C、相對濕度≤75%的密封條件下可存放3年。 Without dew in temperature+10°C~60°C、relative humidity be 95% maximum value for 30 days. 在溫度+10°C~60°C、相對濕度為95%的非露天下最多可存放30天。
Installation Way & Parameters 安裝方式及條件	Stud-mount / 螺絲安裝
	Wave soldering parameters / 波峰焊 Solder pot temperature / 錫爐溫度: 270°C Max Solder dwell time / 焊接時間: 10s Max Hand welding parameters / 手工焊 Solder iron temperature / 烙鐵溫度: 350±5°C Heating time / 焊接時間: 5s Max



Dimensions / 尺寸圖 (Unit / 單位:mm)



Electrical Characteristics / 電氣特性

Type 品名	Ordering P / N 料號			Rated Current 額定電流	Breaking Capacity 分斷能力	Safety Approvals 安全認證
LFC / LFP	LFC-XXX	LFP-XXX-BP	LFP-XXX-P			
	LFC-31.5	LFP-31.5-BP	LFP-31.5-P	31.5A	500VAC / 1500A	
	LFC-32	LFP-32-BP	LFP-32-P	32 A		
	LFC-40	LFP-40-BP	LFP-40-P	40 A		
	LFC-50	LFP-50-BP	LFP-50-P	50 A		
	LFC-80	LFP-80-BP	LFP-80-P	80 A	250VAC / 2500A	

I-T Characteristics / 時間-電流特性

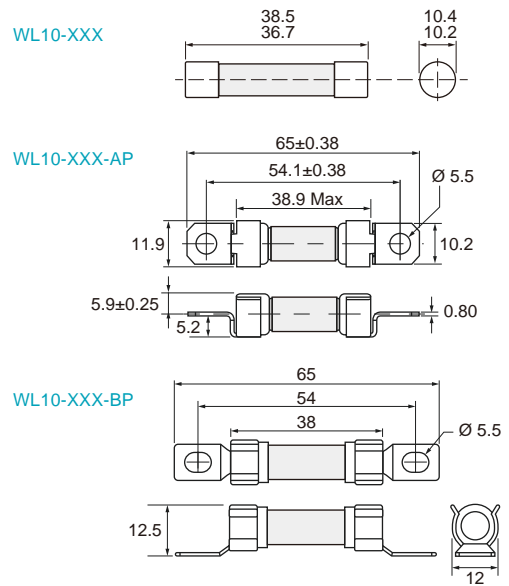
% of Ampere Rating 額定電流%	Opening Time 熔斷時間
110%	14400s Min. / 最短14400秒
200%	1s Min. / 最短1秒
	300s Max. / 最長300秒
300%	0.2s Min. / 最短0.2秒
	30s Max. / 最長30秒
500%	0.1s Min. / 最短0.1秒
	10s Max. / 最長10秒

Product Features / 產品特性

Operating Temperature 操作溫度	<p>Operating temperature / 操作溫度範圍: -55°C~125°C</p> <p>When choosing the fuses specification, if the operating environmental temperature beyond the scope from 20~30°C, you should consider the environmental temperature's affection to fuses.</p> <p>若貴司操作環境溫度超出25±5°C範圍, 在選用保險絲規格時, 需考慮操作環境溫度對保險絲的影響。</p>
Storage Conditions 儲存條件	<p>Under airtight in temperature +10°C~60°C、relative humidity ≤75% can store 3 years.</p> <p>在溫度+10°C~60°C、相對濕度≤75%的密封條件下可存放3年。</p> <p>Without dew in temperature+10°C~60°C、relative humidity be 95% maximum value for 30 days.</p> <p>在溫度+10°C~60°C、相對濕度為95%的非露天下最多可存放30天。</p>
Installation Way & Parameters 安裝方式及條件	<p>Stud-mount / 螺絲安裝</p> <p>Wave soldering parameters / 波峰焊 Solder pot temperature / 錫爐溫度: 270°C Max Solder dwell time / 焊接時間: 10s Max</p> <p>Hand welding parameters / 手工焊 Solder iron temperature / 烙鐵溫度: 350±5°C Heating time / 焊接時間: 5s Max</p>



Dimensions / 尺寸圖 (Unit / 單位:mm)



Electrical Characteristics / 電氣特性

Type 品名	Ordering P / N 料號			Rated Current 額定電流	Breaking Capacity 分斷能力
WL10	WL10-XXX	WL10-XXX-AP	WL10-XXX-BP		200VDC / 15KA
	WL10-5	WL10-5-AP	WL10-5-BP	5A	
	WL10-6	WL10-6-AP	WL10-6-BP	6A	
	WL10-8	WL10-8-AP	WL10-8-BP	8A	
	WL10-10	WL10-10-AP	WL10-10-BP	10A	
	WL10-15	WL10-15-AP	WL10-15-BP	15A	
	WL10-20	WL10-20-AP	WL10-20-BP	20A	
	WL10-25	WL10-25-AP	WL10-25-BP	25A	
	WL10-30	WL10-30-AP	WL10-30-BP	30A	

I-T Characteristics / 時間-電流特性

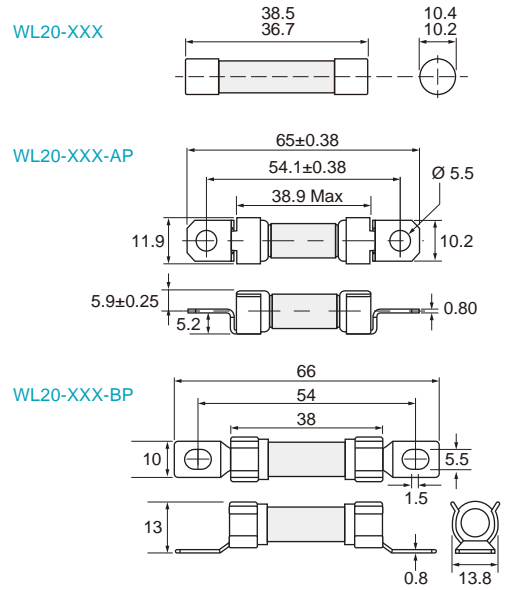
% of Ampere Rating 額定電流%	Opening Time 熔斷時間
110%	14400s Min. / 最短14400秒
200%	1s Min. / 最短1秒
	300s Max. / 最長300秒
300%	0.2s Min. / 最短0.2秒
	30s Max. / 最長30秒
500%	0.1s Min. / 最短0.1秒
	10s Max. / 最長10秒

Product Features / 產品特性

Operating Temperature 操作溫度	Operating temperature / 操作溫度範圍: -55°C~125°C When choosing the fuses specification, if the operating environmental temperature beyond the scope from 20~30°C, you should consider the environmental temperature's affection to fuses. 若貴司操作環境溫度超出25±5°C範圍, 在選用保險絲規格時, 需考慮操作環境溫度對保險絲的影響。
Storage Conditions 儲存條件	Under airtight in temperature +10°C~60°C、relative humidity ≤75% can store 3 years. 在溫度+10°C~60°C、相對濕度≤75%的密封條件下可存放3年。 Without dew in temperature+10°C~60°C、relative humidity be 95% maximum value for 30 days. 在溫度+10°C~60°C、相對濕度為95%的非露天下最多可存放30天。
Installation Way & Parameters 安裝方式及條件	Stud-mount / 螺絲安裝 Wave soldering parameters / 波峰焊 Solder pot temperature / 錫爐溫度: 270°C Max Solder dwell time / 焊接時間: 10s Max Hand welding parameters / 手工焊 Solder iron temperature / 烙鐵溫度: 350±5°C Heating time / 焊接時間: 5s Max



Dimensions / 尺寸圖 (Unit / 單位:mm)



Electrical Characteristics / 電氣特性

Type 品名	Ordering P / N 料號			Rated Current 額定電流	Breaking Capacity 分斷能力	Safety Approvals 安全認證
WL20	WL20-XXX	WL20-XXX-AP	WL20-XXX-BP			
	WL20-5	WL20-5-AP	WL20-5-BP	5A	500VDC / 6000A	
	WL20-6	WL20-6-AP	WL20-6-BP	6A		
	WL20-8	WL20-8-AP	WL20-8-BP	8A		
	WL20-10	WL20-10-AP	WL20-10-BP	10A		
	WL20-15	WL20-15-AP	WL20-15-BP	15A		
	WL20-16	WL20-16-AP	WL20-16-BP	16A		
	WL20-20	WL20-20-AP	WL20-20-BP	20A		
	WL20-25	WL20-25-AP	WL20-25-BP	25A		
	WL20-30	WL20-30-AP	WL20-30-BP	30A		
	WL20-35	WL20-35-AP	WL20-35-BP	35A		
WL20-40	WL20-40-AP	WL20-40-BP	40A			

I-T Characteristics / 時間-電流特性

% of Ampere Rating 額定電流%	Opening Time 熔斷時間
100%	14400s Min. / 最長14400秒
135%	3600s Max. / 最長3600秒
200%	120s Max. / 最長120秒

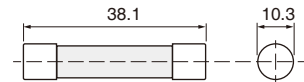
Product Features / 產品特性

Operating Temperature 操作溫度	Operating temperature / 操作溫度範圍: -55°C~125°C When choosing the fuses specification, if the operating environmental temperature beyond the scope from 20~30°C, you should consider the environmental temperature's affection to fuses. 若貴司操作環境溫度超出25±5°C範圍, 在選用保險絲規格時, 需考慮操作環境溫度對保險絲的影響。
Storage Conditions 儲存條件	Under airtight in temperature +10°C~60°C、relative humidity ≤75% can store 3 years. 在溫度+10°C~60°C、相對濕度≤75%的密封條件下可存放3年。 Without dew in temperature+10°C~60°C、relative humidity be 95% maximum value for 30 days. 在溫度+10°C~60°C、相對濕度為95%的非露天下最多可存放30天。
Installation Way & Parameters 安裝方式及條件	Stud-mount / 螺絲安裝
	Wave soldering parameters / 波峰焊 Solder pot temperature / 錫爐溫度: 270°C Max Solder dwell time / 焊接時間: 10s Max
	Hand welding parameters / 手工焊 Solder iron temperature / 烙鐵溫度: 350±5°C Heating time / 焊接時間: 5s Max

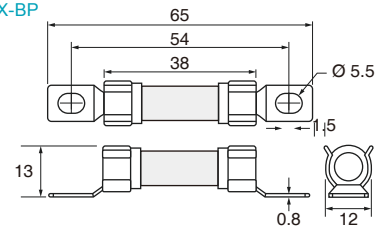


Dimensions / 尺寸圖 (Unit / 單位:mm)

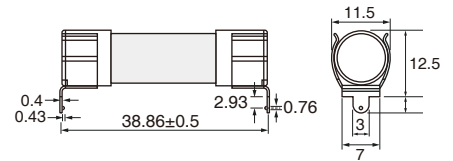
WL25-XXX



WL25-XXX-BP



WL25-XXX-P



Electrical Characteristics / 電氣特性

Type 品名	Ordering P / N 料號			Rated Current 額定電流	Breaking Capacity 分斷能力	Safety Approvals 安全認證
WL25	WL25-XXX	WL25-XXX-BP	WL25-XXX-P			
	WL25-2	WL25-2-BP	WL25-2-P	2A	600VAC / 50KA 600VDC / 50KA	●
	WL25-3	WL25-3-BP	WL25-3-P	3A		●
	WL25-4	WL25-4-BP	WL25-4-P	4A		●
	WL25-5	WL25-5-BP	WL25-5-P	5A		●
	WL25-6	WL25-6-BP	WL25-6-P	6A		●
	WL25-8	WL25-8-BP	WL25-8-P	8A		●
	WL25-10	WL25-10-BP	WL25-10-P	10A		●
	WL25-12	WL25-12-BP	WL25-12-P	12A		●
	WL25-15	WL25-15-BP	WL25-15-P	15A		●
	WL25-20	WL25-20-BP	WL25-20-P	20A		●
	WL25-25	WL25-25-BP	WL25-25-P	25A		●
	WL25-30	WL25-30-BP	WL25-30-P	30A		●

I-T Characteristics / 時間-電流特性

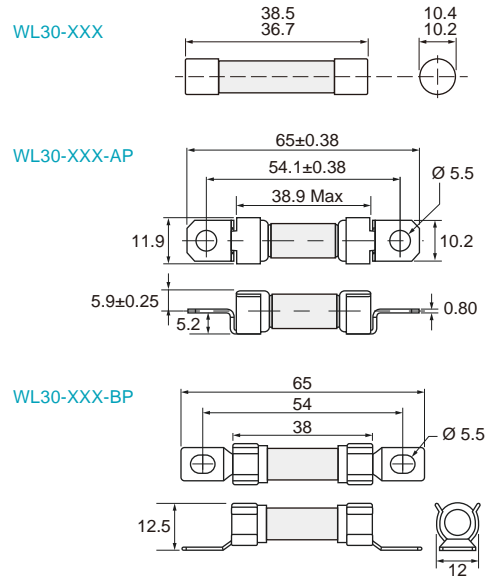
% of Ampere Rating 額定電流%	Opening Time 熔斷時間
110%	14400s Min. / 最短14400秒
200%	1s Min. / 最短1秒
	300s Max. / 最長300秒
300%	0.2s Min. / 最短0.2秒
	30s Max. / 最長30秒
500%	0.1s Min. / 最短0.1秒
	10s Max. / 最長10秒

Product Features / 產品特性

Operating Temperature 操作溫度	Operating temperature / 操作溫度範圍: -55°C~125°C When choosing the fuses specification, if the operating environmental temperature beyond the scope from 20~30°C, you should consider the environmental temperature's affection to fuses. 若貴司操作環境溫度超出25±5°C範圍, 在選用保險絲規格時, 需考慮操作環境溫度對保險絲的影響。
Storage Conditions 儲存條件	Under airtight in temperature +10°C~60°C、relative humidity ≤75% can store 3 years. 在溫度+10°C~60°C、相對濕度≤75%的密封條件下可存放3年。 Without dew in temperature+10°C~60°C、relative humidity be 95% maximum value for 30 days. 在溫度+10°C~60°C、相對濕度為95%的非露天下最多可存放30天。
Installation Way & Parameters 安裝方式及條件	Stud-mount / 螺絲安裝
	Wave soldering parameters / 波峰焊 Solder pot temperature / 錫爐溫度: 270°C Max Solder dwell time / 焊接時間: 10s Max
	Hand welding parameters / 手工焊 Solder iron temperature / 烙鐵溫度: 350±5°C Heating time / 焊接時間: 5s Max



Dimensions / 尺寸圖 (Unit / 單位:mm)



Electrical Characteristics / 電氣特性

Type 品名	Ordering P / N 料號			Rated Current 額定電流	Breaking Capacity 分斷能力	Safety Approvals 安全認證
WL30	WL30-XXX	WL30-XXX-AP	WL30-XXX-BP		700VDC / 10KA	
	WL30-5	WL30-5-AP	WL30-5-BP	5A		
	WL30-6	WL30-6-AP	WL30-6-BP	6A		
	WL30-8	WL30-8-AP	WL30-8-BP	8A		
	WL30-10	WL30-10-AP	WL30-10-BP	10A		
	WL30-15	WL30-15-AP	WL30-15-BP	15A		
	WL30-20	WL30-20-AP	WL30-20-BP	20A		
	WL30-25	WL30-25-AP	WL30-25-BP	25A		
WL30-30	WL30-30-AP	WL30-30-BP	30A			

I-T Characteristics / 時間-電流特性

% of Ampere Rating 額定電流%	Opening Time 熔斷時間
110%	14400s Min. / 最短14400秒
200%	1s Min. / 最短1秒
	300s Max. / 最長300秒
300%	0.2s Min. / 最短0.2秒
	30s Max. / 最長30秒
500%	0.1s Min. / 最短0.1秒
	10s Max. / 最長10秒

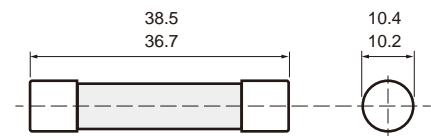
Product Features / 產品特性

Operating Temperature 操作溫度	<p>Operating temperature / 操作溫度範圍: -55°C~125°C</p> <p>When choosing the fuses specification, if the operating environmental temperature beyond the scope from 20~30°C, you should consider the environmental temperature's affection to fuses.</p> <p>若貴司操作環境溫度超出25±5°C範圍, 在選用保險絲規格時, 需考慮操作環境溫度對保險絲的影響。</p>
Storage Conditions 儲存條件	<p>Under airtight in temperature +10°C~60°C & relative humidity ≤75% can store 3 years.</p> <p>在溫度+10°C~60°C、相對濕度≤75%的密封條件下可存放3年。</p> <p>Without dew in temperature+10°C~60°C & relative humidity be 95% maximum value for 30 days.</p> <p>在溫度+10°C~60°C、相對濕度為95%的非露天下最多可存放30天。</p>
Installation Way & Parameters 安裝方式及條件	<p>Stud-mount / 螺絲安裝</p>
	<p>Wave soldering parameters / 波峰焊</p> <p>Solder pot temperature / 錫爐溫度: 270°C Max</p> <p>Solder dwell time / 焊接時間: 10s Max</p> <p>Hand welding parameters / 手工焊</p> <p>Solder iron temperature / 烙鐵溫度: 350±5°C</p> <p>Heating time / 焊接時間: 5s Max</p>



Dimensions / 尺寸圖 (Unit / 單位:mm)

WL40-XXX



Electrical Characteristics / 電氣特性

Type 品名	Ordering P / N 料號	Rated Current 額定電流	Breaking Capacity 分斷能力	Safety Approvals 安全認證
WL40	WL40-XXX			
	WL40-0.44	440mA	1000VDC / 30KA 1000VAC / 30KA	●
	WL40-0.5	500mA		●
	WL40-1	1A		●
	WL40-2	2A		●
	WL40-4	4A		●
	WL40-10	10A		●
	WL40-11	11A		●
	WL40-12	12A		●
WL40-15	15A	●		

I-T Characteristics / 時間-電流特性

% of Ampere Rating 額定電流%	Opening Time 熔斷時間
110%	14400s Min. / 最短14400秒
200%	1s Min. / 最短1秒
	300s Max. / 最長300秒
300%	0.2s Min. / 最短0.2秒
	30s Max. / 最長30秒
500%	0.1s Min. / 最短0.1秒
	10s Max. / 最長10秒

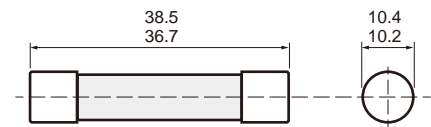
Product Features / 產品特性

Operating Temperature 操作溫度	Operating temperature / 操作溫度範圍: -55°C~125°C When choosing the fuses specification, if the operating environmental temperature beyond the scope from 20~30°C, you should consider the environmental temperature's affection to fuses. 若貴司操作環境溫度超出25±5°C範圍, 在選用保險絲規格時, 需考慮操作環境溫度對保險絲的影響。
Storage Conditions 儲存條件	Under airtight in temperature +10°C~60°C、relative humidity ≤75% can store 3 years. 在溫度+10°C~60°C、相對濕度≤75%的密封條件下可存放3年。 Without dew in temperature+10°C~60°C、relative humidity be 95% maximum value for 30 days. 在溫度+10°C~60°C、相對濕度為95%的非露天下最多可存放30天。
Installation Way & Parameters 安裝方式及條件	Stud-mount / 螺絲安裝
	Wave soldering parameters / 波峰焊 Solder pot temperature / 錫爐溫度: 270°C Max Solder dwell time / 焊接時間: 10s Max
	Hand welding parameters / 手工焊 Solder iron temperature / 烙鐵溫度: 350±5°C Heating time / 焊接時間: 5s Max

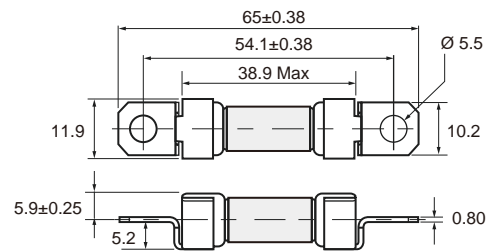


Dimensions / 尺寸圖 (Unit / 單位:mm)

WL50-XXX



WL50-XXX-AP



Electrical Characteristics / 電氣特性

Type 品名	Ordering P / N 料號		Rated Current 額定電流	Breaking Capacity 分斷能力	Safety Approvals 安全認證
WM50	WL50-XXX	WL50-XXX-AP			cULus
	WL50-1	WL50-1-AP	1A	1000VDC / 10KA 1000VDC / 30KA	●
	WL50-2	WL50-2-AP	2A		●
	WL50-3	WL50-3-AP	3A		●
	WL50-3.5	WL50-3.5-AP	3.5A		●
	WL50-4	WL50-4-AP	4A		●
	WL50-5	WL50-5-AP	5A		●
	WL50-6	WL50-6-AP	6A		●
	WL50-8	WL50-8-AP	8A		●
	WL50-10	WL50-10-AP	10A		●
	WL50-12	WL50-12-AP	12A		●
	WL50-15	WL50-15-AP	15A	●	
	WL50-20	WL50-20-AP	20A	1000VDC / 30KA	
	WL50-25	WL50-25-AP	25A		
WL50-30	WL50-30-AP	30A			

Product Features / 產品特性

Voltage & Current 最大電壓電流	600V / 1000VDC, 30A
Terminal Rating 端子強度	Solid, Stranded, Fine Stranded, Spade Lug, Comb Bus Bar ; Single and Dual Wire ; 75°C and 90°C Cu wire
SCCR Rating 短路電流等級	UL 10kA / 1000Vdc; IEC 33kA/1000Vdc
Fuse 對應保險絲	Apply to WL50 Series
Wire Range 線徑	#18 to #8 (0.8mm' to 8.4mm')
Torque Ratings 扭矩強度	25 Lb-In (2.8 N·m) maximum
Flammability Ratings 防火等級	UL 94V0, self-extinguishing
Storage & Operating Temperature Range 儲存與操作溫度範圍	-20°C to +120°C (it's not recommended, but the holder will work well under -40°C without damage)
Safety 依循安規	Designed to UL 4248-18



Dimensions / 尺寸圖 (Unit / 單位:mm)

