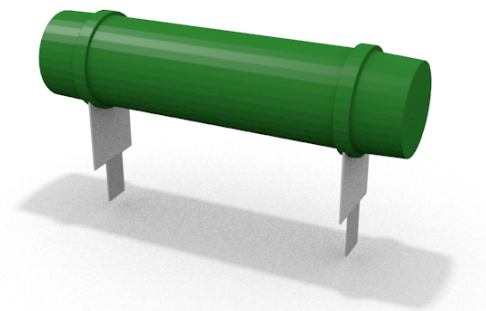


JGR series / Fiber Core Silicone Coated, Radial



特徴

- ・定格電力 2W ~ 8W
- ・捲縮ファイバーコア抵抗器
- ・PCB基板に直接挿入
- ・不燃構造
- ・高絶縁抵抗
- ・端子の高低を選択可能です。
- ・参考規格
- ・IEC 115-1

Features

- ・2W to 8W Power Rating
- ・Fiber Core Crimped Resistor.
- ・Direct Insertion on PCB.
- ・Non-Flammable Construction.
- ・Conformal Silicone Coating.
- ・Choice of Low and High Profile Terminals.
- ・Reference Standards.
- ・IEC 115-1

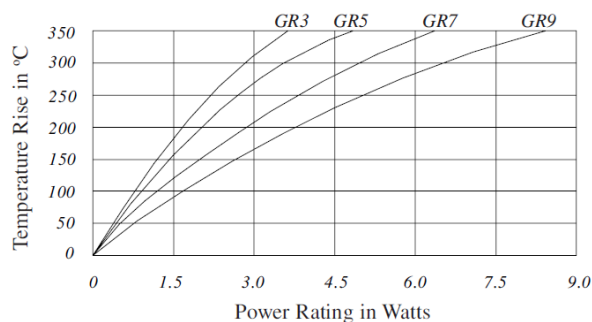
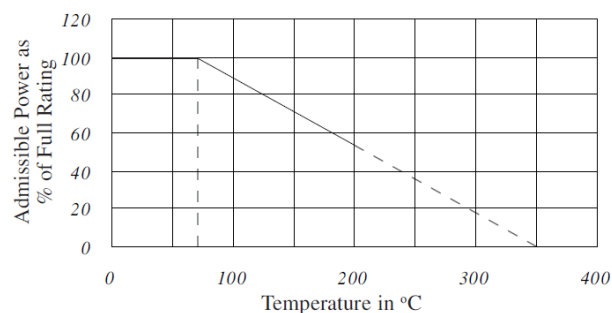
仕様・環境特性 / Electrical Specifications and Environmental Characteristics

Type	Power	Resistance Range for TCR's (Ohms)						Additional Specifications	
	@ 70 ° C	400 ± 50ppm/ ° C		0+40 , -80 ppm/ ° C		± 20ppm/ ° C		Tolerance	5%, 10%
	Watts	Min	Max	Min	Max	Min	Max		
J GR2	2	0R20	0R30	0R33	47R	56R	3K9	Applicable E-Series	E24, Other Values on Request
J GR3	4	0R30	0R39	0R47	82R	100R	5K6		
J GR5	5	0R47	0R56	0R68	120R	150R	15K	Derating	From 70 ° C to 350 ° C
J GR7	6.5	0R68	0R91	1R0	220R	270R	20K	Max. Voltage	Ö(P*R)
J GR9	8	0R91	1R2	1R3	250R	270R	22K		

性能 / Performance characteristics

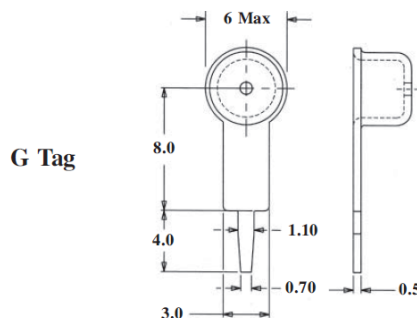
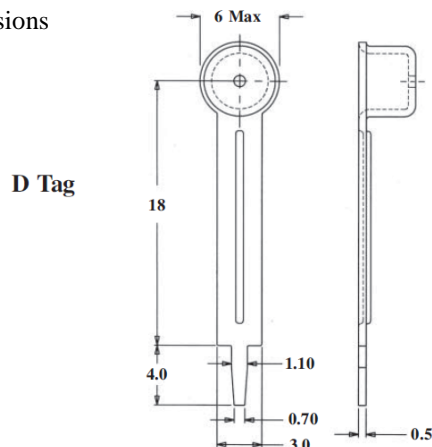
Test Methods	Test Conditions	Test Limits
Terminal Strength	2Kg Pull Test for 10 Seconds, IEC 115-1, Clause 4.16	ΔR <2% + 0R05
Solderability	As per MIL-STD 202, Test 208F; IEC 115-1, Clause 4.17.3	95% Coverage
Endurance at Rated Temperature	Rated Power @ 70 ° C(1.5hrs ON,0.5hrs OFF), IEC115 1,Clause 4.25	ΔR < 5% + 0R05
Damp Heat Steady State	90-95% RH @ 40 ° C Ambient Temperature for 56days, IEC115-1, Clause 4.24	ΔR < 5% + 0R05
Resistance to Soldering Heat	10 Seconds Dip in solder Bath at 260 ° C, IEC115-1, Clause 4.18	ΔR < 1% + 0R05
Climatic Sequence	As per IEC 115.1-Clause 4.23	ΔR < 5% + 0R05

Temperature Rise Graphs

Derating Curve²

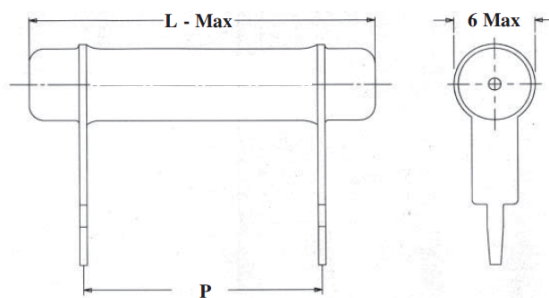
JGR series / Fiber Core Silicone Coated, Radial

寸法 / Dimensions



Do not Scale Drawings.
All dimensional tolerances in mm.

Type	Dimensional Specifications in mm [inches]			
	P		L - max	
J GR2	10.2 ± 1.0	[0.401 ± 0.039]	20.2	[0.795]
J GR3	15.0 ± 1.0	[0.590 ± 0.039]	25.3	[0.996]
J GR5	25.4 ± 1.0	[1.000 ± 0.039]	35.4	[1.394]
J GR7	35.6 ± 1.0	[1.401 ± 0.039]	45.5	[1.791]
J GR9	45.7 ± 1.0	[1.799 ± 0.039]	55.7	[2.193]



品番構成 / Ordering Code

Type	Ohmic Value	Tolerance	Packing Style	Release Condition	Special Requirements
JGR3*	0.1 Ohm a 0R1 / R10 1 Ohm a 1R0 1 KOhm a 1K0 10.7 KOhm a 10K7	10% a K 5% a J	Bulk a B	Commercial a X	Standard a S High Surge a P Others a M

A Sample Part No.: JGR3G 33R JBXS

* Specify 'D' & 'G' For D & G Tags resp. after the YED Type.

注意事項 / Note

- 1 On request we undertake tests for Batch Acceptance to a specified Reference Standard.
- 2 The Derating Curve specifies the maximum allowable Power at a particular ambient temperature while ensuring that the maximum surface temperature remains within the designed limit.
- 3 When the Resistor is subjected to a Pulse Load, please ensure that the *average* Power dissipated remains below the rated Power specified.
- 4 Resistor performance with Pulse Loads will have to be application tested. Please utilise our Pulse Application Questionnaire for selecting a suitable type or for requesting any design-in assistance from us.