

Ceramic Cased Vertical

Yokohama Electronic Devices

JQM series 垂直セラミックケース型 抵抗器



特徴

- ・ 定格電力 2W ~ 10W
- ・ 溶接構造
- ・ 高精度、低TCR品も対応可
- ・ 垂直式による省スペース化
- ・ セラミックパッケージに封止
- ・ 高絶縁抵抗
- ・ 低温度上昇
- ・ 耐パルス品も対応可能です。

Features

- ・ 2 to 10W Power Rating.
- ・ All welded Construction.
- ・ Close Tolerance & Low TCR's Available
- ・ Space Saving Vertical Design
- ・ Built in Ceramic Standoff's
- ・ Low Surface Temperature.
- ・ Pulse Withstanding Versions Available.

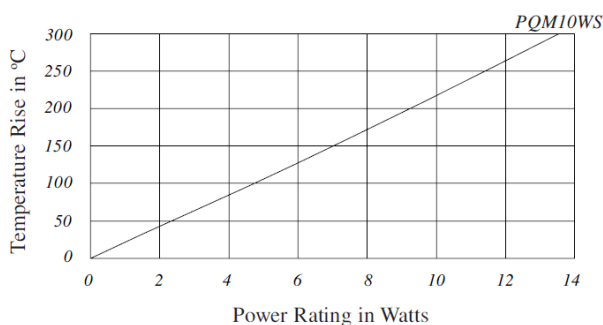
仕様・環境特性 / Electrical Specifications and Environmental Characteristics

Type	Power @ 25°C Watts	Ohmic Range In Ohm		Additional Specifications	
		Min	Max	Tolerance	For R < 1 Ohm : 10%, R > 1 Ohm : 1%, 2%, 5%, 10%
JQM2	2	0R05	2K7	TCR-Standard	± 200ppm/ ° C, <450ppm/ ° C for Low Values
JQM3	3	0R05	6K8	TCR-On Request	Down to ± 20 ppm/ ° C
JQM5	5	0R05	6K8	Derating	From 70 ° to 275 ° C
JQM7	7	0R10	8K2	Climatic Category	55 / 200 / 56
JQM10WS	10	0R10	20K	Solderability	95% Coverage, MIL Std 208, Test 202F
				Solvent Resistance	Δ R < 5% As Per IEC115.1, Clause 4.30, Test XA of IEC-68-2-45

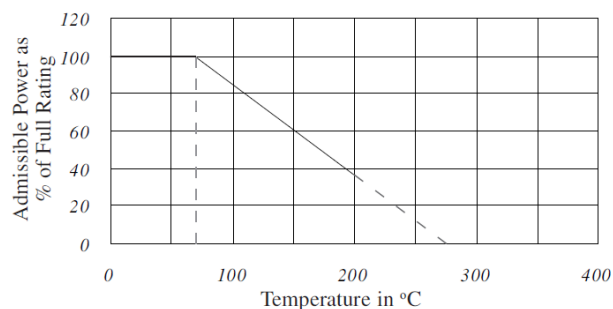
性能 / Performance characteristics

Test Methods	Test Conditions	Test Limits
Short Term Overload	5 x Rated Power for 5 Seconds, IEC115-1, Clause 4.13	Δ R < ± 1%
Endurance at Rated Power	Full Rated Power for 1000hrs, (1.5hrs ON, 0.5hrs OFF)	Δ R < 5% + 0R05
Terminal Strength	Pull Strength of 50N for 10 seconds, IEC115-1, Clause 4.16, Test Uai	Δ R < 0.5% + 0R05
Insulation Resistance	As Per IEC115-1, Clause 2.2.17, 500 MOhms at 500VDC	500M Ohm
Dielectric Strength	1KV AC for 1 Min	No Break Down
Damp Heat Steady State	90-95% RH@40 ° C Ambient Temp. for 21 days, IEC115-1, Clause 4.18	Δ R < ± 3%
Incombustibility	6 x Rated Wattage for 5 Mins	No Flames Observed
Resistance to Soldering	10 Secs Dip in Solder Bath at 260 ° C, IEC 115-1, Clause 4.18	Δ R < ± 1%

Temperature Rise Graphs

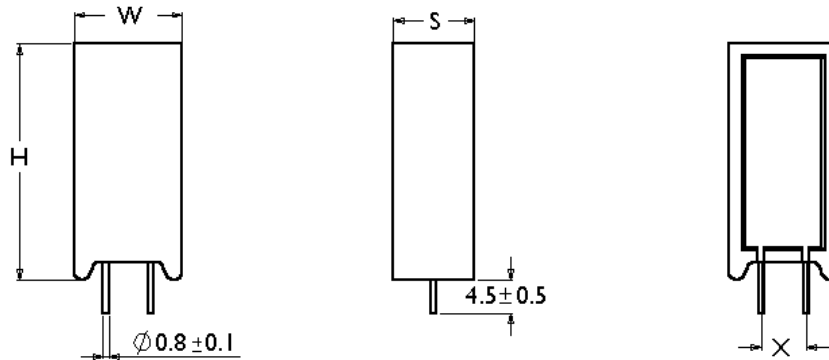


Derating Curve²



JQM series 垂直セラミックケース型 抵抗器

寸法 / Dimensions



In mm

Type	H ± 1.5	W ± 1.0	S ± 1.0	X +2 / - 1.0
JQM2	21	11	7.5	5
JQM3	25	12	8.5	5
JQM5	25	13	9	5
JQM7	39	13	9.5	5
JQM10WS	35	16	12	7.5

In inches

Type	H 0.059	W 0.0394	S 0.0394	X +0.0787 / -0.0394
JQM2	0.827	0.433	0.295	0.197
JQM3	0.984	0.472	0.335	0.197
JQM5	0.984	0.512	0.354	0.197
JQM7	1.535	0.512	0.374	0.197
JQM10WS	1.378	0.63	0.472	0.295

品番構成 / Ordering Code

Type	Ohmic Value	Tolerance	Packing Style	Release Condition	Special Requirements
JQM5	0.1 Ohm : 0R1 / R10 1 Ohm : 1R0 1 KOhm : 1K0 10.7 KOhm : 10K7	10% : K 5% : J 2% : G 1% : F	Bulk : B	Commercial : X	Standard : S Others : M

注意事項 / Note

- 1 On request we undertake tests for Batch Acceptance to a specified Reference Standard.
- 2 The Derating Curve specifies the maximum allowable Power at a particular ambient temperature while ensuring that the maximum surface temperature remains within the designed limit.
- 3 When the Resistor is subjected to a Pulse Load, please ensure that the *average* Power dissipated remains below the rated Power specified.
- 4 Resistor performance with Pulse Loads will have to be application tested. Please utilise our Pulse Application Questionnaire for selecting a suitable type or for requesting any design-in assistance from us.